

---

---

# IP - IPX

---

---

- SPARE PARTS LIST
  - LISTE DES PIÈCES DE RECHANGE
  - AUFLISTUNG DER ERSATZTEILE
  - LISTA DE REPUESTOS
  - NOMENCLATURA PEÇAS SOBRESSALENTES
  - NOMENCLATURA RICAMBI
  - LISTE OVER RESERVEDELE
  - LIJST VERVANGINGSONDERDELEN
  - RESERVDELSLISTA
  - VARAOSALUETTELO
  - LISTE OVER RESERVEDELER
  - Λίστα ανταλλακτικών
- 
-



## **CAUTION**

**Warning:**

Repairs must be carried out by skilled personnel only

**Précaution:**

Confier la réparation uniquement à du personnel qualifié

**Vorsicht:**

Reparierung nur von Fachleuten vornehmen lassen

**PRECAUCIÓN:**

La reparación es de exclusiva competencia de personal experto.

**PRECAUÇÕES:**

O conserto deve ser feito somente por pessoas tecnicamente qualificadas.

**PRECAUZIONE :**

Affidare la riparazione unicamente a personale esperto.

**BEMÆRK :**

overlad udelukkende reparation til specialuddannet personale.

**LET OP:**

Laat reparaties uitsluitend door vakkundig personeel uitvoeren

**OBSERVERA!**

Låt endast kompetent personal sköta reparationerna.

**HUOMIO:**

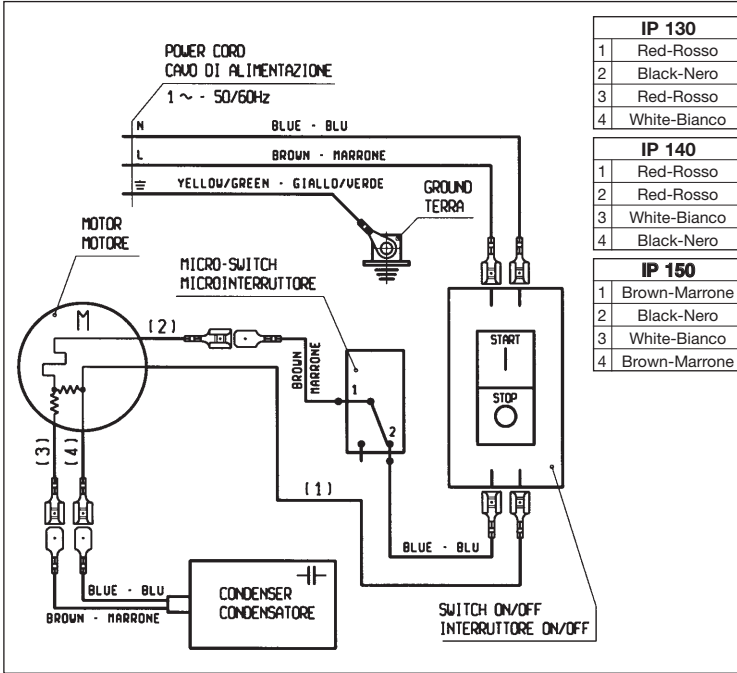
Laitteen korjaus tulee uskoa ainoastaan alan asiantuntijalle

**FORSIKTIG:**

Reparasjoner skal kun utføres av kvalifisert personell

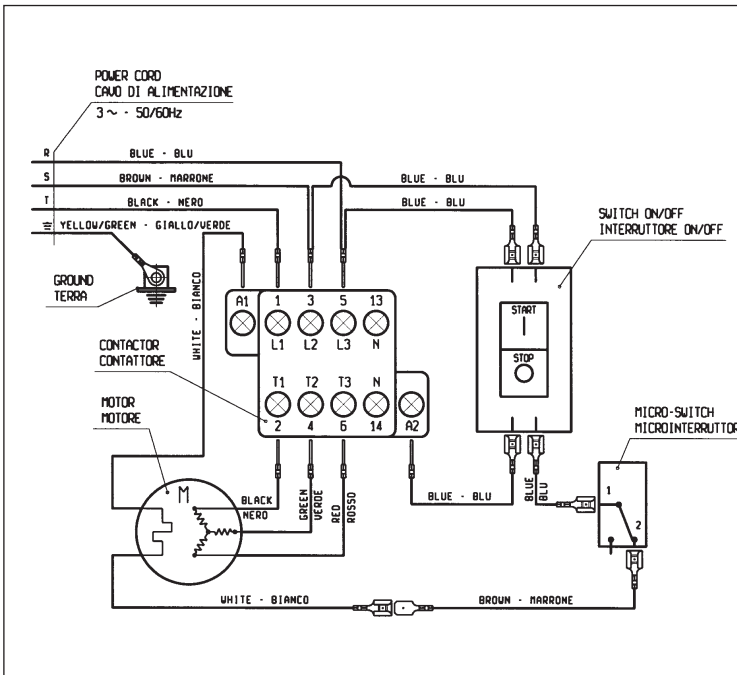
**ΠΡΟΣΟΧΗ!**

Οι επισκευές γίνονται μόνο από ειδικευμένο προσωπικό



- MOD. IP 130**
- MOD. IP 140**
- MOD. IP 150**

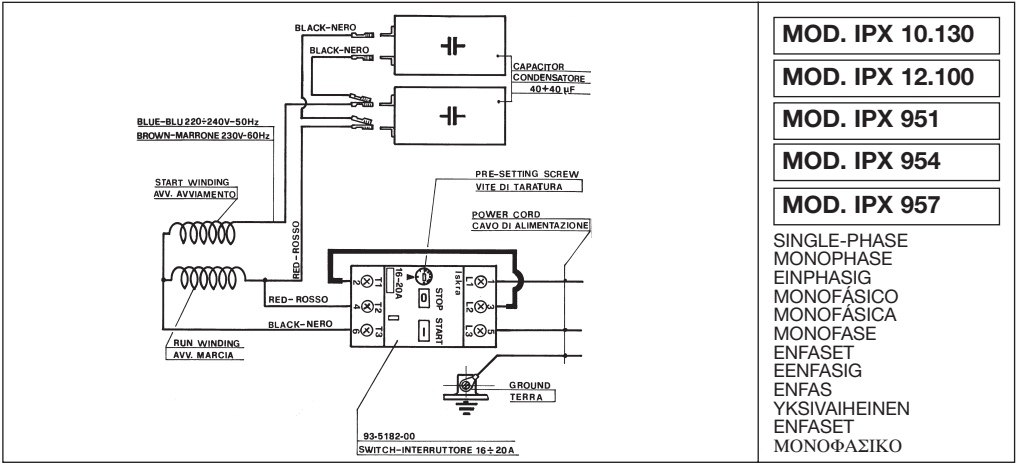
SINGLE-PHASE  
MONOPHASE  
EINPHASIG  
MONOFÁSICA  
MONOFASE  
ENFASET  
EENFASIG  
ENFAS  
YKSIVAIHEINEN  
ENFASET  
ΜΟΝΟΦΑΣΙΚΟ



- MOD. IP 170**

THREE-PHASE  
TRIPHASE  
DREIPHASIG  
TRIFÁSICA  
TRIFASE  
TREFASET  
DRIEFASIG  
TREFAS  
KOLMIVAIHEINEN  
TREFASET  
ΤΡΙΦΑΣΙΚΟ

# SERIES "IPX"



**MOD. IPX 10.130**

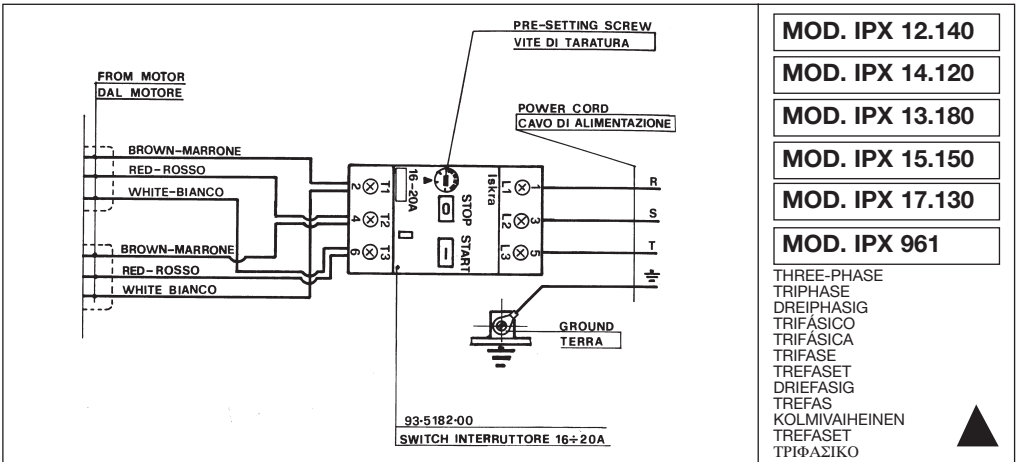
**MOD. IPX 12.100**

**MOD. IPX 951**

**MOD. IPX 954**

**MOD. IPX 957**

SINGLE-PHASE  
MONOPHASE  
EINPHASIG  
MONOFÁSICO  
MONOFÁSICA  
MONOFASE  
ENFASSET  
EENFASIG  
ENFAS  
YKSIVAIHEINEN  
ENFASSET  
ΜΟΝΟΦΑΣΙΚΟ



**MOD. IPX 12.140**

**MOD. IPX 14.120**

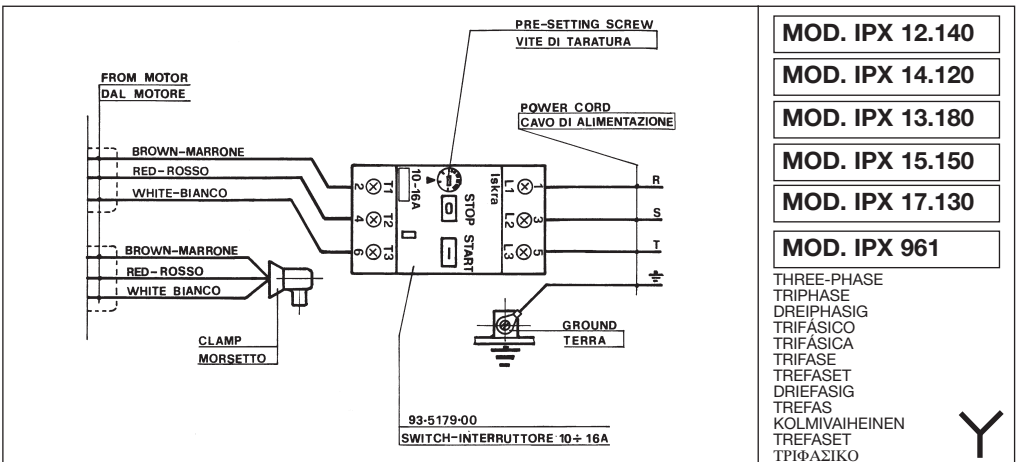
**MOD. IPX 13.180**

**MOD. IPX 15.150**

**MOD. IPX 17.130**

**MOD. IPX 961**

THREE-PHASE  
TRIPHASE  
DREIΦΑΣIG  
TRIFÁSICO  
TRIFÁSICA  
TRIFASE  
TREFASSET  
DRIEFASIG  
TREFAS  
KOLMIVAIHEINEN  
TREFASET  
ΤΡΙΦΑΣΙΚΟ



**MOD. IPX 12.140**

**MOD. IPX 14.120**

**MOD. IPX 13.180**

**MOD. IPX 15.150**

**MOD. IPX 17.130**

**MOD. IPX 961**

THREE-PHASE  
TRIPHASE  
DREIΦΑΣIG  
TRIFÁSICO  
TRIFÁSICA  
TRIFASE  
TREFASSET  
DRIEFASIG  
TREFAS  
KOLMIVAIHEINEN  
TREFASET  
ΤΡΙΦΑΣΙΚΟ





---

---

**SPARE PARTS KIT  
JEU DE PIÈCES DE RECHANGE  
ERSATZTEILKASTEN  
KIT DE REPUESTOS  
ESTOJO PEÇAS SOBRESSALENTES  
KIT RICAMBI  
RESERVEDELSSÆT  
SET VERVANGINGSONDERDELEN  
SET MED RESERVDELAR  
VARAOSAT  
SETT MED RESERVEDELER  
Λίστα ανταλλακτικών**



# POWER UNITS - SINGLE PHASE - MOTOPOMPE - MONOFASE

## IP 130 - IP 140

SPARE PARTS KIT  
 JEU DE PIÈCES DE RECHANGE  
 ERSATZTEILKASTEN  
 KIT DE REPUESTOS  
 ESTOJO PEÇAS SOBRESSALENTES  
 KIT RICAMBI

RESERVEDELSÆT  
 SET VERVANGINGSONDERDELEN  
 SET MED RESERVDLAR  
 VARAOSAT  
 SETT MED RESERVEDELER  
 Λίστα ανταλλακτικών

| KIT N.             | KIT 500        | KIT 501           | KIT 502     | KIT 503  | KIT 504  | KIT 508                                   |
|--------------------|----------------|-------------------|-------------|----------|----------|---|
| Positions included | 14-15<br>77-78 | 14-15<br>77-78-95 | 16-17<br>21 | 13       | 13       | 18-33-34<br>35-36-39<br>40-41-42<br>43-44 |
| Posizioni incluse  | (IP 130)       | (IP 140)          |             | (IP 130) | (IP 140) |   |
| N pcs.             | 3              | 3                 | 6÷3÷3       | 3        | 3        | 1   |

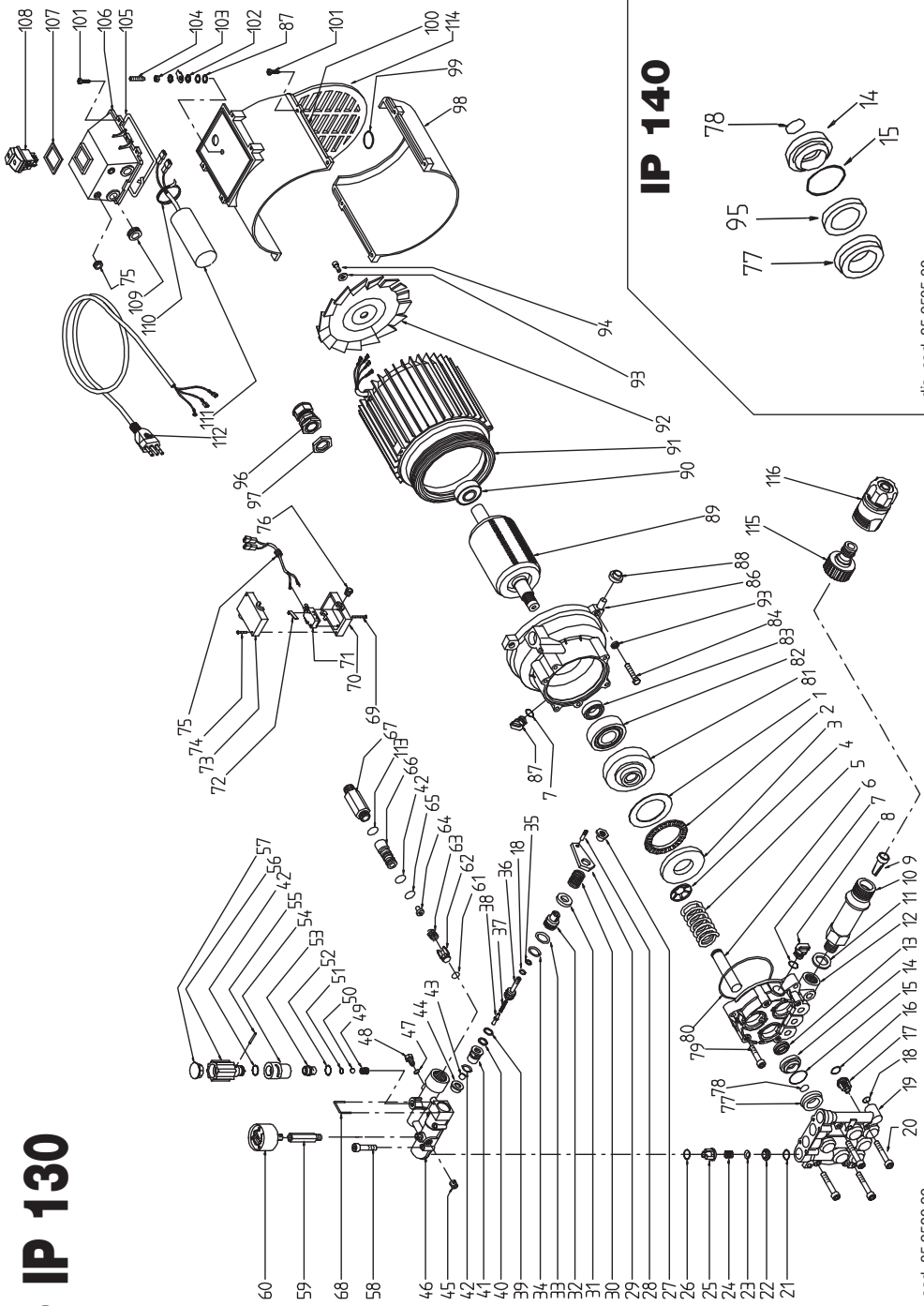
SPARE PARTS LIST  
 LISTE DES PIÈCES DE RECHANGE  
 AUFLISTUNG DER ERSATZTEILE  
 LISTA DE REPUESTOS  
 NOMENCLATURA PEÇAS SOBRESSALENTES  
 NOMENCLATURA RICAMBI

LISTE OVER RESERVEDELE  
 LIJST VERVANGINGSONDERDELEN  
 RESERVDELSLISTA  
 VARAOSALUETTELO  
 LISTE OVER RESERVEDELER  
 Λίστα ανταλλακτικών

| POS. | CODE CODICE        | N. PCS. | POS. | CODE CODICE        | N. PCS. | POS. | CODE CODICE                           | N. PCS. |
|------|--------------------|---------|------|--------------------|---------|------|---------------------------------------|---------|
| 1    | 91.8349.00         | 1       | 40   | 90.5075.00         | 1       | 81   | 85.0068.22 - IP130                    | 1       |
| 2    | 91.8348.00         | 1       | 41   | 85.0094.51         | 1       |      | 85.0072.22 - IP140                    | 1       |
| 3    | 91.8350.00         | 1       | 42   | 90.3582.00         | 3       | 82   | 91.8051.00 - IP130                    | 1       |
| 4    | 56.2108.74 - IP130 | 3       | 43   | 97.4778.00         | 1       |      | 91.8060.00 - IP140                    | 1       |
|      | 85.0066.74 - IP140 | 3       | 44   | 85.0092.51         | 1       | 83   | 90.1590.00                            | 1       |
| 5    | 94.7566.00         | 3       | 45   | 98.1960.00         | 1       | 84   | 99.1585.00                            | 3       |
| 6    | 56.0400.66 - IP130 | 3       | 46   | 85.0027.22         | 1       | 86   | 85.0021.22                            | 1       |
|      | 85.0086.66 - IP140 | 3       | 47   | 90.3664.00         | 1       | 87   | 96.6942.00                            | 2       |
| 7    | 90.3965.00         | 2       | 48   | 85.0123.70         | 1       | 88   | 85.0004.47                            | 2       |
| 8    | 56.2100.51         | 2       | 49   | 94.8213.00         | 1       | 89   | 86.0037.02 - IP130                    | 1       |
| 9    | 92.8973.00         | 1       | 50   | 97.4750.00         | 1       |      | 86.0043.02 - IP140                    | 1       |
| 10   | 85.0062.51         | 1       | 51   | 90.3569.00         | 1       | 90   | 91.8040.00                            | 1       |
| 11   | 93.1845.00         | 1       | 52   | 90.3578.00         | 1       | 91   | 86.0009.02 - IP130                    | 1       |
| 12   | 85.0040.22 - IP130 | 1       | 53   | 85.0063.70         | 1       |      | 86.0003.02 - IP140                    | 1       |
|      | 85.0046.22 - IP140 | 1       | 54   | 85.0033.51         | 1       | 92   | 86.0078.79                            | 1       |
| 13   | 90.1542.00 - IP130 | 3       | 55   | 97.6115.00         | 1       | 93   | 96.6917.00                            | 5       |
|      | 90.1555.00 - IP140 | 3       | 56   | 10.0591.51         | 1       | 94   | 99.1537.00                            | 1       |
| 14   | 85.0007.70 - IP130 | 3       | 57   | 85.0100.51         | 1       | 95   | 90.5083.00 - solo IP140<br>only IP140 | 3       |
|      | 85.0005.70 - IP140 | 3       |      | 99.1621.00 - IP130 | 4       | 96   | 93.5205.00                            | 1       |
| 15   | 90.3602.00         | 3       |      | 99.1620.00 - IP140 | 4       | 97   | 92.5010.00                            | 1       |
| 16   | 90.3675.00         | 3       | 59   | 85.0089.70         | 1       | 98   | 86.0028.51                            | 1       |
| 17   | 85.0059.01         | 6       | 60   | 94.5824.00         | 1       | 99   | 90.3681.00                            | 1       |
| 18   | 90.3581.00         | 2       | 61   | 90.3665.00         | 1       | 100  | 86.0001.51                            | 1       |
| 19   | 85.0113.22         | 1       | 62   | 85.0121.51         | 1       | 101  | 99.0850.00                            | 8       |
| 20   | 99.1926.00 - IP130 | 4       | 63   | 94.7382.00         | 1       | 102  | 96.6913.00                            | 2       |
|      | 99.1927.00 - IP140 | 5       | 64   | 85.0119.70         | 1       | 103  | 92.1975.00                            | 1       |
| 21   | 90.3590.00         | 3       | 65   | 90.3668.00         | 1       | 104  | 99.1599.00                            | 1       |
| 22   | 36.2029.51         | 6       | 66   | 85.0064.51         | 1       | 105  | 90.3922.00                            | 1       |
| 23   | 36.2030.76         | 6       | 67   | 10.0589.70         | 1       | 106  | 86.0071.51                            | 1       |
| 24   | 94.7325.00         | 6       | 68   | 85.0088.64         | 1       | 107  | 86.0062.84                            | 1       |
| 25   | 36.2031.51         | 6       | 69   | 99.0841.00         | 1       | 108  | 93.5060.00                            | 1       |
| 26   | 90.3678.00         | 4       | 70   | 86.0068.51         | 1       | 109  | 86.0036.47                            | 2       |
| 27   | 85.0055.70         | 1       | 71   | 93.5450.00         | 1       | 110  | 92.8224.00                            | 1       |
| 28   | 99.1600.00         | 1       | 72   | 86.0065.74         | 1       | 111  | 93.5631.00 - IP130                    | 1       |
| 29   | 86.0066.74         | 1       | 73   | 86.0029.51         | 1       |      | 93.5647.00 - IP140                    | 1       |
| 30   | 94.7420.00         | 1       | 74   | 99.0840.00         | 2       | 112  | 10.7254.01 - IP130                    | 1       |
| 31   | 85.0058.54         | 1       | 75   | 86.0035.47         | 1       |      | 10.6061.01 - IP140                    | 1       |
| 32   | 85.0053.70         | 1       | 76   | 85.0008.47         | 1       | 113  | 90.3827.00                            | 1       |
| 33   | 90.3591.00         | 1       | 77   | 85.0002.70 - IP130 | 3       | 114  | 86.0081.51                            | 1       |
| 34   | 90.3589.00         | 1       |      | 85.0003.70 - IP140 | 3       | 115  | 93.6685.00                            | 1       |
| 35   | 90.5037.00         | 1       | 78   | 90.3587.00         | 3       | 116  | 93.6550.00                            | 1       |
| 36   |                    |         |      | 99.1897.00 - IP130 | 3       |      |                                       |         |
| 37   | 85.0052.02         | 1       | 79   | 99.1912.00 - IP140 | 3       |      |                                       |         |
| 38   |                    |         | 80   | 90.3915.00         | 1       |      |                                       |         |
| 39   | 90.3574.00         | 1       |      |                    |         |      |                                       |         |



# • IP 130



# POWER UNITS - SINGLE PHASE - MOTOPOMPE - MONOFASE

## IP 150

SPARE PARTS KIT  
 JEU DE PIÈCES DE RECHANGE  
 ERSATZTEILKASTEN  
 KIT DE REPUESTOS  
 ESTOJO PEÇAS SOBRESSALENTES  
 KIT RICAMBI

RESERVEDELSÆT  
 SET VERVANGINGSONDERDELEN  
 SET MED RESERVDLAR  
 VARAOSAT  
 SETT MED RESERVEDELER  
 Λίστα ανταλλακτικών

| KIT N.                                  | KIT 501           | KIT 502     | KIT 504 | KIT 508                                   | KIT 510 (IP 150C only) |
|---|-------------------|-------------|---------|---|------------------------|
| Positions included<br>Posizioni incluse | 14-15<br>77-78-95 | 16-17<br>21 | 13      | 18-33-34<br>35-36-39<br>40-41-42<br>43-44 | 14-15<br>77-95-118     |
| N pcs.                                  | 3                 | 6÷3÷3       | 3       | 1   | 3                      |

SPARE PARTS LIST  
 LISTE DES PIÈCES DE RECHANGE  
 AUFLISTUNG DER ERSATZTEILE  
 LISTA DE REPUESTOS  
 NOMENCLATURA PEÇAS SOBRESSALENTES  
 NOMENCLATURA RICAMBI

LISTE OVER RESERVEDELE  
 LIJST VERVANGINGSONDERDELEN  
 RESERVDLISTA  
 VARAOSALUETTELO  
 LISTE OVER RESERVEDELER  
 Λίστα ανταλλακτικών

| POS. | CODE CODICE | N. PCS. | POS. | CODE CODICE | N. PCS. | POS. | CODE CODICE | N. PCS. |
|------|-------------|---------|------|-------------|---------|------|-------------|---------|
| 1    | 91.8349.00  | 3       | 41   | 85.0094.51  | 1       | 81   | 85.0076.22  | 1       |
| 2    | 91.8348.00  | 2       | 42   | 90.3582.00  | 3       | 82   | 96.6842.00  | 1       |
| 3    | 91.8355.00  | 1       | 43   | 97.4778.00  | 1       | 83   | 99.0820.00  | 6       |
| 4    | 85.0066.74  | 3       | 44   | 85.0092.51  | 1       | 84   | 86.0062.84  | 1       |
| 5    | 94.7566.00  | 3       | 45   | 98.1960.00  | 1       | 85   | 99.1515.00  | 4       |
| 6    | 85.0086.66  | 3       | 46   | 85.0027.22  | 1       | 86   | 90.1629.00  | 1       |
| 7    | 90.3965.00  | 1       | 47   | 90.3664.00  | 1       | 87   | 85.0124.01  | 1       |
| 8    | 56.2100.51  | 1       | 48   | 85.0123.70  | 1       | 88   | 93.5060.00  | 1       |
| 9    | 92.8973.00  | 1       | 49   | 94.8213.00  | 1       | 89   | 85.0015.22  | 1       |
| 10   | 85.0062.51  | 1       | 50   | 97.4750.00  | 1       | 90   | 86.0049.02  | 1       |
| 11   | 93.1845.00  | 1       | 51   | 90.3569.00  | 1       | 91   | 86.0015.02  | 1       |
| 12   | 85.0046.22  | 1       | 52   | 90.3578.00  | 1       | 92   | 86.0036.47  | 3       |
| 13   | 90.1555.00  | 3       | 53   | 85.0063.70  | 1       | 93   | 91.8324.00  | 2       |
| 14   | 85.0005.70  | 3       | 54   | 85.0033.51  | 1       | 94   | 86.0072.22  | 1       |
| 15   | 90.3602.00  | 3       | 55   | 97.6115.00  | 1       | 95   | 90.3587.00  | 3       |
| 16   | 90.3675.00  | 3       | 56   | 10.0591.51  | 1       | 96   | 86.0079.79  | 1       |
| 17   | 85.0059.01  | 6       | 57   | 85.0100.51  | 1       | 97   | 91.4691.00  | 1       |
| 18   | 90.3581.00  | 2       | 58   | 99.1620.00  | 4       | 98   | 99.1890.00  | 8       |
| 19   | 85.0107.41  | 1       | 59   | 85.0089.70  | 1       | 99   | 90.3827.00  | 1       |
| 20   | 99.1927.00  | 5       | 60   | 94.5824.00  | 1       | 100  | 86.0032.51  | 1       |
| 21   | 90.3590.00  | 3       | 61   | 90.3665.00  | 1       | 101  | 10.6061.01  | 1       |
| 22   | 36.2029.51  | 6       | 62   | 85.0121.51  | 1       | 102  | 86.0031.51  | 1       |
| 23   | 36.2030.76  | 6       | 63   | 94.7382.00  | 1       | 103  | 86.0061.47  | 1       |
| 24   | 94.7325.00  | 6       | 64   | 85.0119.70  | 1       | 104  | 93.5970.00  | 6       |
| 25   | 36.2031.51  | 6       | 65   | 90.3668.00  | 1       | 109  | 93.5657.00  | 1       |
| 26   | 90.3678.00  | 4       | 66   | 85.0064.51  | 1       | 110  | 85.0095.51  | 1       |
| 27   | 85.0055.70  | 1       | 67   | 10.0589.70  | 1       | 111  | 96.7065.00  | 3       |
| 28   | 99.1600.00  | 1       | 68   | 85.0088.64  | 1       | 112  | 98.2045.00  | 1       |
| 29   | 86.0066.74  | 1       | 69   | 99.0841.00  | 1       | 113  | 97.7710.00  | 1       |
| 30   | 94.7420.00  | 1       | 70   | 86.0068.51  | 1       | 114  | 92.5010.00  | 1       |
| 31   | 85.0058.54  | 1       | 71   | 93.5450.00  | 1       | 115  | 93.5205.00  | 1       |
| 32   | 85.0053.70  | 1       | 72   | 86.0065.74  | 1       | 116  | 93.6685.00  | 1       |
| 33   | 90.3591.00  | 1       | 73   | 86.0029.51  | 1       | 117  | 93.6550.00  | 1       |
| 34   | 90.3589.00  | 1       | 74   | 99.0840.00  | 2       |      |             |         |
| 35   | 90.5037.00  | 1       | 75   | 86.0035.47  | 1       |      |             |         |
| 36   |             |         | 76   | 85.0008.47  | 1       |      |             |         |
| 37   | 85.0052.02  | 1       | 77   | 85.0003.70  | 3       |      |             |         |
| 38   |             |         | 78   | 90.5083.00  | 3       |      |             |         |
| 39   | 90.3574.00  | 1       | 79   | 99.1912.00  | 3       |      |             |         |
| 40   | 90.5075.00  | 1       | 80   | 90.3915.00  | 1       |      |             |         |



# POWER UNITS - THREE PHASE - MOTOPOMPE - TRIFASE

## IP 170

SPARE PARTS KIT  
 JEU DE PIÈCES DE RECHANGE  
 ERSATZTEILKASTEN  
 KIT DE REPUESTOS  
 ESTOJO PEÇAS SOBRESSALENTES  
 KIT RICAMBI

RESERVEDELSÆT  
 SET VERVANGINGSONDERDELEN  
 SET MED RESERVDLAR  
 VARAOSAT  
 SETT MED RESERVEDELER  
 Λίστα ανταλλακτικών

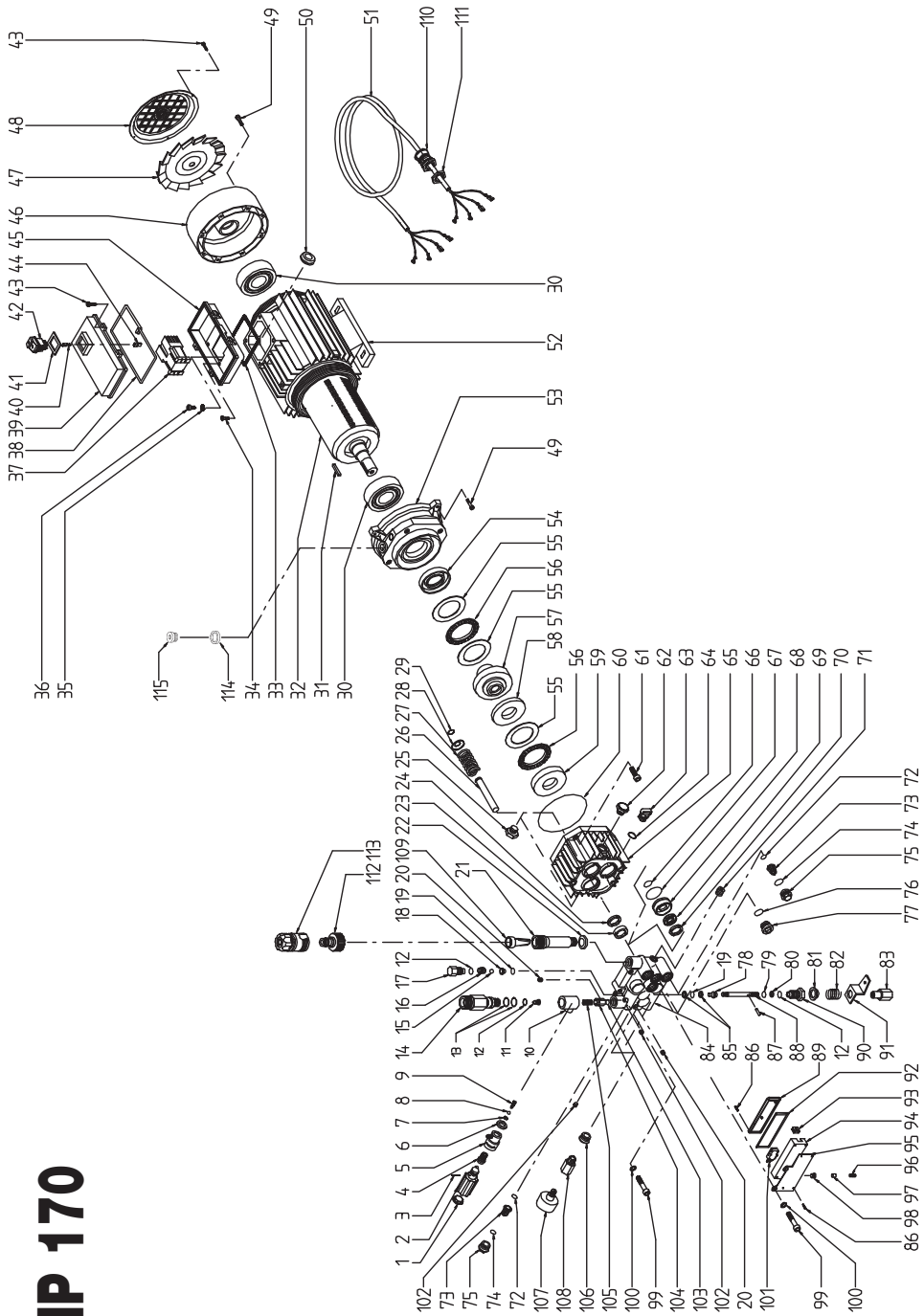
| KIT N.             | KIT 505              | KIT 506 | KIT 507 | KIT 509                    |  |  |
|--------------------|----------------------|---------|---------|----------------------------|--|--|
| Positions included | 70-69-68<br>67-66-23 | 73-72   | 24      | 12-15-18<br>19-79-80<br>85 |  |  |
| Posizioni incluse  |                      |         |         |                            |  |  |
| N pcs.             | 3                    | 3       | 3       | 1÷2                        |  |  |

SPARE PARTS LIST  
 LISTE DES PIÈCES DE RECHANGE  
 AUFLISTUNG DER ERSATZTEILE  
 LISTA DE REPUESTOS  
 NOMENCLATURA PEÇAS SOBRESSALENTES  
 NOMENCLATURA RICAMBI

LISTE OVER RESERVEDELE  
 LIJST VERVANGINGSONDERDELEN  
 RESERVDLSLISTA  
 VARAOSALUETTELO  
 LISTE OVER RESERVEDELER  
 Λίστα ανταλλακτικών

| POS. | CODE CODICE | N. PCS. | POS. | CODE CODICE | N. PCS. | POS. | CODE CODICE | N. PCS. |
|------|-------------|---------|------|-------------|---------|------|-------------|---------|
| 1    | 85.0100.51  | 1       | 41   | 86.0062.84  | 1       | 81   | 85.0056.54  | 1       |
| 2    | 10.0591.51  | 1       | 42   | 93.5060.00  | 1       | 82   | 94.7495.00  | 1       |
| 3    | 97.6115.00  | 1       | 43   | 99.0850.00  | 4       | 83   | 85.0090.64  | 1       |
| 4    | 85.0063.70  | 1       | 44   | 93.5970.00  | 2       | 84   | 85.0101.41  | 1       |
| 5    | 85.0033.51  | 1       | 45   | 86.0070.51  | 1       | 85   | 90.5038.00  | 2       |
| 6    | 96.7103.00  | 1       | 46   | 86.0072.22  | 1       | 86   | 99.0344.00  | 9       |
| 7    | 90.3569.00  | 1       | 47   | 86.0079.79  | 1       | 87   | 97.6615.00  | 1       |
| 8    | 97.4750.00  | 1       | 48   | 86.0032.51  | 1       | 88   | 85.0065.66  | 1       |
| 9    | 94.8213.00  | 1       | 49   | 99.1890.00  | 8       | 89   | 86.0030.51  | 1       |
| 10   | 85.0096.41  | 1       | 50   | 86.0036.47  | 2       | 90   | 85.0006.70  | 1       |
| 11   | 85.0120.66  | 1       | 51   | 10.7271.01  | 1       | 91   | 86.0064.74  | 1       |
| 12   | 90.3587.00  | 3       | 52   | 86.0021.02  | 1       | 92   | 86.0063.47  | 1       |
| 13   | 90.3591.00  | 2       | 53   | 85.0009.22  | 1       | 93   | 86.0034.47  | 1       |
| 14   | 10.0590.70  | 1       | 54   | 90.1629.00  | 1       | 94   | 86.0069.51  | 1       |
| 15   | 97.4810.00  | 1       | 55   | 91.8351.00  | 3       | 95   | 86.0067.74  | 1       |
| 16   | 94.7336.00  | 1       | 56   | 91.8352.00  | 2       | 96   | 85.0091.64  | 1       |
| 17   | 85.0054.70  | 1       | 57   | 85.0080.22  | 1       | 97   | 86.0002.51  | 1       |
| 18   | 85.0093.66  | 1       | 58   | 91.8360.00  | 1       | 98   | 85.0008.47  | 1       |
| 19   | 90.3581.00  | 2       | 59   | 91.8355.00  | 1       | 99   | 99.3699.00  | 4       |
| 20   | 99.1507.00  | 2       | 60   | 90.3918.00  | 1       | 100  | 96.7104.00  | 4       |
| 21   | 85.0061.70  | 1       | 61   | 99.3069.00  | 4       | 101  | 93.5415.00  | 1       |
| 22   | 96.7400.00  | 1       | 62   | 98.2085.00  | 1       | 102  | 99.1795.00  | 2       |
| 23   | 85.0057.82  | 3       | 63   | 56.2100.51  | 1       | 103  | 90.3665.00  | 1       |
| 24   | 90.1566.00  | 3       | 64   | 90.3965.00  | 1       | 104  | 85.0122.70  | 1       |
| 25   | 98.2084.00  | 1       | 65   | 85.0034.22  | 1       | 105  | 94.7312.00  | 1       |
| 26   | 85.0087.66  | 3       | 66   | 90.3835.00  | 3       | 106  | 85.0128.70  | 1       |
| 27   | 94.7590.00  | 3       | 67   | 90.3606.00  | 3       | 107  | 94.5824.00  | 1       |
| 28   | 85.0067.54  | 3       | 68   | 85.0001.70  | 3       | 108  | 85.0089.70  | 1       |
| 29   | 90.0066.00  | 3       | 69   | 90.2620.00  | 3       | 109  | 92.8973.00  | 1       |
| 30   | 91.8324.00  | 2       | 70   | 51.1000.51  | 3       | 110  | 93.5206.00  | 1       |
| 31   | 91.4691.00  | 1       | 71   | 98.2045.00  | 1       | 111  | 92.5015.00  | 1       |
| 32   | 86.0055.02  | 1       | 72   | 90.3674.00  | 6       | 112  | 93.6685.00  | 1       |
| 33   | 86.0061.47  | 1       | 73   | 85.0060.01  | 6       | 113  | 93.6550.00  | 1       |
| 34   | 99.1564.00  | 4       | 74   | 90.3675.00  | 6       | 114  | 93.1820.00  | 1       |
| 35   | 96.6842.00  | 1       | 75   | 85.0127.70  | 5       | 115  | 98.2037.00  | 1       |
| 36   | 99.1265.00  | 1       | 76   | 90.3593.00  | 1       |      |             |         |
| 37   | 93.6320.00  | 1       | 77   | 98.2134.00  | 1       |      |             |         |
| 38   | 90.3932.00  | 1       | 78   | 85.0085.66  | 1       |      |             |         |
| 39   | 86.0027.51  | 1       | 79   | 90.3574.00  | 2       |      |             |         |
| 40   | 93.5526.00  | 2       | 80   | 90.5021.00  | 1       |      |             |         |

# • IP 170



# IPX10•130 - IPX12•100 - IPX951 - IPX954 - IPX957

SPARE PARTS LIST

LISTE DES PIÈCES DE RECHANGE

AUFLISTUNG DER ERSATZTEILE

LISTA DE REPUESTOS

NOMENCLATURA PEÇAS SOBRESALENTES

NOMENCLATURA RICAMBI

LISTE OVER RESERVEDELE

LIJST VERVANGINGSONDERDELEN

RESERVEDELSLISTA

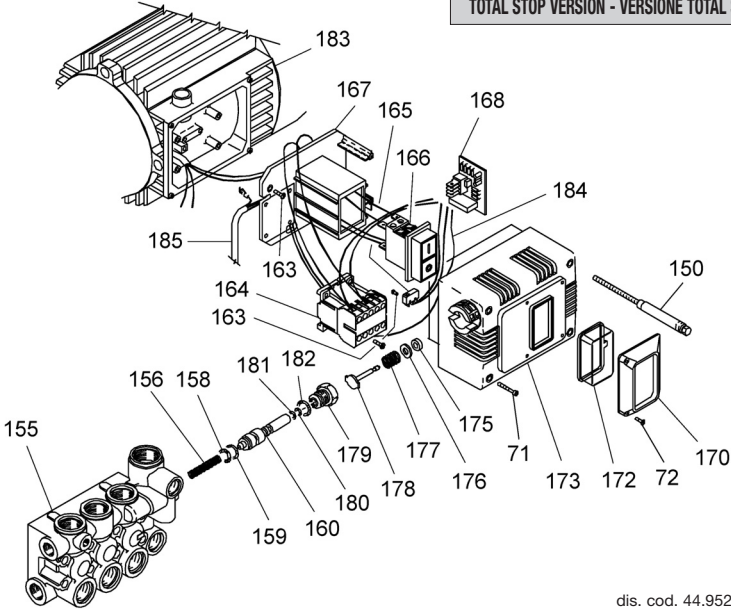
VARAOSALUETTELO

LISTE OVER RESERVEDELER

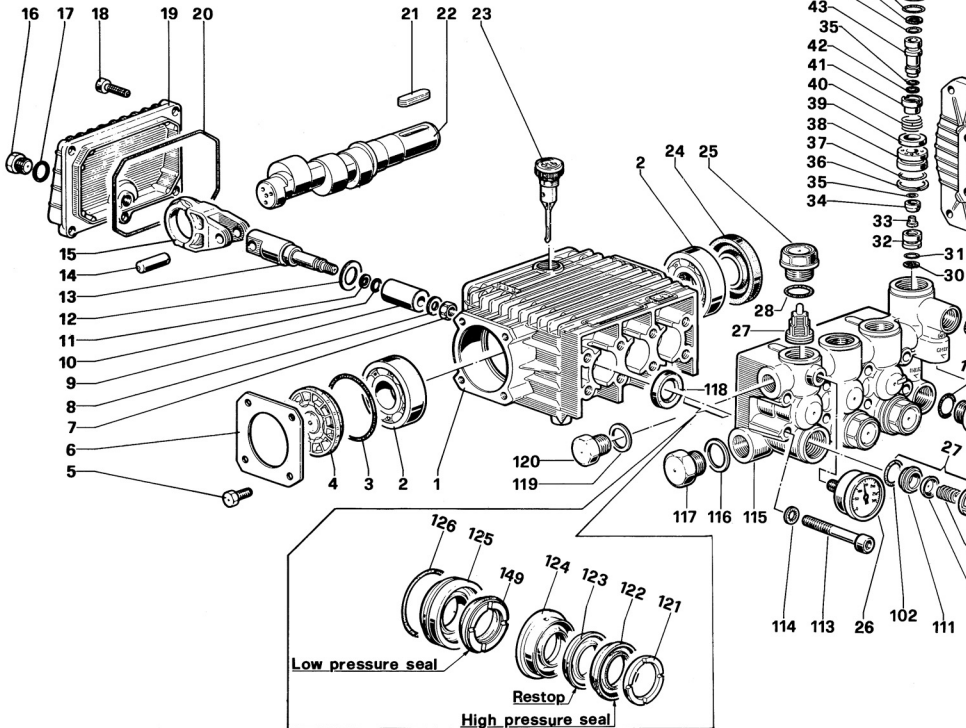
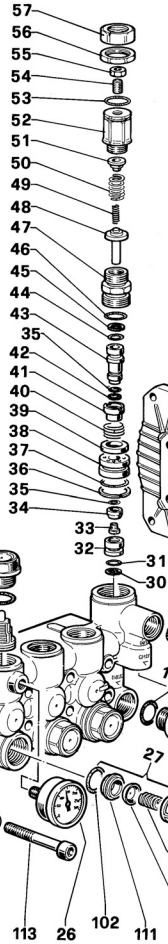
Λίστα ανταλλακτικών

| POS. | CODE CODICE  | N. PCS. | POS. | CODE CODICE  | N. PCS. | POS.  | CODE CODICE  | N. PCS. |
|------|--|---------|------|--|---------|---|--|---------|
| 1    | 44.0100.22   | 1       | 63   | 43.2128.51   | 2       | 134   | 10.7232.01   | 2       |
| 2    | 91.8328.00   | 2       | 64   | 43.2127.51   | 2       | 136   | 42.2124.51   | 1       |
| 3    | 90.4097.00   | 1       | 65   | 10.7269.01   | 1       | 137   | 43.2129.47   | 1       |
| 4    | 44.2118.01   | 1       | 67   | 93.5182.00 - 220/240V  | 1       | 138   | 99.1705.00   | 1       |
| 5    | 99.1807.00   | 4       | 68   | 43.2120.51   | 1       | 142   | 36.3181.51   | 1       |
| 6    | 50.1500.74   | 1       | 69   | 43.2119.47   | 1       | 143   | 94.7383.00   | 1       |
| 7    | 92.2216.00   | 3       | 70   | 43.2113.51   | 1       | 144   | 90.3580.00   | 1       |
| 8    | 44.2115.70   | 3       | 71   | 99.1720.00   | 3       | 145   | 36.2564.70   | 1       |
| 9    | 52.0400.09 - 015<br>44.0401.09 - 018                                       | 3       | 72   | 99.0744.00   | 4       | 146   | 36.2565.51   | 1       |
| 10   | 90.3572.00   | 4       | 74   | 99.1540.00   | 2       | 147   | 90.3570.00   | 2       |
| 11   | 90.5022.00   | 3       | 75   | 99.1515.00   | 1       | 148   | 36.2607.51   | 1       |
| 12   | 96.7350.00   | 3       | 76   | 96.6913.00   | 1       | 149   | 90.2617.00 - 015<br>90.2684.00 - 018                                       | 3       |
| 13   | 44.0500.66   | 3       | 77   | 91.8372.00   | 1       | 150   | 23.0157.02   | 1       |
| 14   | 97.7340.00   | 3       | 79   | 90.8500.00   | 1       | 151   | 98.1925.00   | 4       |
| 15   | 44.0300.22   | 3       | 80   | 42.0300.51   | 1       | 152   | 92.5015.00   | 1       |
| 16   | 98.2042.50   | 1       | 81   | 43.0400.51   | 1       | 153   | 93.5206.00   | 1       |
| 17   | 90.3585.00   | 2       | 82   | 90.0655.00   | 1       | <b>TOTAL STOP VERSION - VERSIONE TOTAL STOP</b> |  |         |
| 18   | 99.1837.00   | 5       | 83   | 99.1658.00   | 4       | 155   | 44.1210.41 - 015<br>44.1211.41 - 018                                       | 1       |
| 19   | 44.1600.22   | 1       | 85   | 90.3863.00   | 1       | 156   | 94.7341.00   | 1       |
| 20   | 90.3920.00   | 2       | 86   | 99.1867.00   | 4       | 158   | 90.5052.00   | 1       |
| 21   | 91.4892.00   | 1       | 87   | 96.6938.00   | 8       | 159   | 90.3819.00   | 1       |
| 22   | 44.0206.35 - IPX10.130<br>IPX951-957<br>44.0203.35 - IPX12.100<br>IPX954   | 1       | 88   | 99.1897.00   | 4       | 160   | 10.0799.70   | 1       |
| 23   | 98.2103.00   | 1       | 89   | 10.0151.66   | 1       | 163   | 99.1450.00   | 5       |
| 24   | 90.1641.00   | 1       | 88   | 90.3832.00   | 1       | 164   | 93.6342.00   | 1       |
| 25   | 98.2226.00   | 6       | 90   | 10.0147.70 - M22<br>10.0078.70 - G3/8                                  | 1       | 165   | 10.7367.02   | 1       |
| 26   | 94.5824.00   | 1       | 91   | 90.3582.00   | 1       | 166   | 93.5190.00   | 1       |
| 27   | 36.7115.01   | 6       | 92   | 94.8217.00   | 1       | 167   | 43.2121.51   | 1       |
| 28   | 90.3847.00   | 6       | 93   | 97.4782.00   | 1       | 168   | 93.6430.00   | 1       |
| 30   | 90.5065.00   | 1       | 95   | 36.2563.70   | 1       | 170   | 43.2123.51   | 1       |
| 31   | 90.3822.00   | 2       | 102  | 90.3841.00   | 7       | 172   | 43.2122.47   | 1       |
| 32   | 36.3164.66   | 1       | 104  | 36.3182.51   | 1       | 173   | 43.2114.51   | 1       |
| 33   | 99.1509.00   | 1       | 105  | 92.8925.00   | 1       | 175   | 90.2532.00   | 1       |
| 34   | 36.3190.66   | 1       | 106  | 90.3828.00   | 1       | 176   | 96.7035.00   | 1       |
| 35   | 90.3575.00   | 2       | 107  | 36.2569.51   | 1       | 177   | 94.7412.00   | 1       |
| 36   | 90.5144.00   | 1       | 108  | 92.9828.00   | 1       | 178   | 43.2126.51   | 1       |
| 37   | 90.3600.00   | 1       | 109  | 36.2025.51   | 6       | 179   | 10.0800.70   | 1       |
| 38   | 36.3229.70   | 1       | 110  | 94.7376.00   | 6       | 180   | 90.5020.00   | 1       |
| 39   | 36.3231.51   | 1       | 111  | 36.2001.76   | 6       | 181   | 90.3570.00   | 1       |
| 40   | 94.7485.00   | 1       | 113  | 36.2003.66   | 6       | 182   | 90.3591.00   | 1       |
| 41   | 36.3230.70   | 1       | 114  | 99.3175.00   | 8       | 183   | 43.3205.02 - 230V-50Hz<br>43.3206.02 - 220V-60Hz<br>43.3207.02 - 240V-50Hz | 1       |
| 42   | 90.5025.00   | 1       | 115  | 96.7014.00   | 8       | 184   | 10.7365.01   | 1       |
| 43   | 36.3234.70   | 1       | 116  | 44.1201.41-015<br>IPX10.130-951<br>44.1205.41-018<br>IPX12.100-954-957 | 1       | 185   | 10.7370.01   | 1       |
| 44   | 90.3820.00   | 1       | 117  | 96.7514.00   | 1       |   |  |         |
| 45   | 90.5052.00   | 1       | 118  | 98.2176.00   | 1       |   |  |         |
| 46   | 90.3857.00   | 1       | 119  | 90.1614.00   | 3       |   |  |         |
| 47   | 36.3228.70   | 1       | 120  | 96.7380.00   | 1       |   |  |         |
| 48   | 36.3233.70   | 1       | 121  | 98.2100.00   | 1       |   |  |         |
| 49   | 94.7345.00   | 1       | 122  | 51.1000.51 - 015<br>44.1001.51 - 018                                   | 3       |   |  |         |
| 50   | 94.7436.00   | 1       | 123  | 90.2620.00 - 015<br>90.2682.00 - 018                                   | 3       |   |  |         |
| 51   | 36.3169.70   | 1       | 124  | 90.2622.00 - 015<br>90.2683.00 - 018                                   | 3       |   |  |         |
| 52   | 36.3185.70   | 1       | 125  | 52.2166.70 - 015<br>44.2161.70 - 018                                   | 3       |   |  |         |
| 53   | 90.3598.00   | 1       | 126  | 44.0800.70 - 015<br>44.0801.70 - 018                                   | 3       |   |  |         |
| 54   | 99.3054.00   | 1       | 127  | 90.3612.00   | 3       |   |  |         |
| 55   | 92.2218.00   | 1       | 128  | 42.2115.86   | 1       |   |  |         |
| 56   | 92.2935.00   | 1       | 129  | 43.2118.51   | 1       |   |  |         |
| 57   | 36.3186.70   | 1       | 130  | 42.2121.51   | 2       |   |  |         |
| 59   | 10.0501.22   | 1       |      | 93.5648.00   | 2       |   |  |         |
| 60   | 43.3401.02   | 1       |      |  |         |   |  |         |
| 61   | 43.3201.02 - 220V-50Hz<br>43.3203.02 - 230V-60Hz<br>43.3208.02 - 240V-50Hz | 1       |      |  |         |   |  |         |
| 62   | 90.4028.00   | 1       |      |  |         |   |  |         |

TOTAL STOP VERSION - VERSIONE TOTAL STOP



dis. cod. 44.9527.00



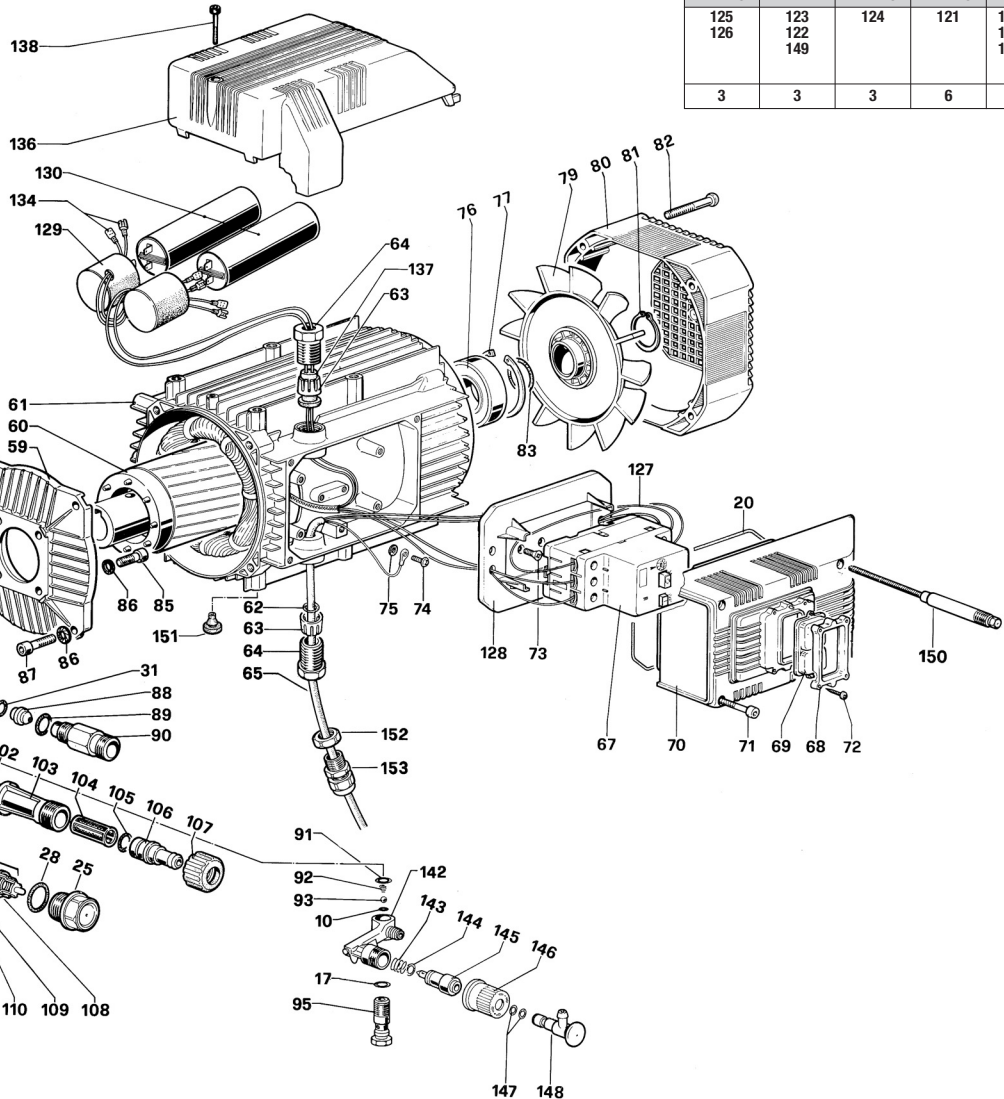
dis. cod. 44.9525.00



| KIT N.             | KIT 23 | KIT 94                                    | KIT 123                        | KIT 124 | KIT 137  | KIT 306                           |
|--------------------|--------|---|--------------------------------|---------|--|-----------------------------------|
| Positions Included | 118    | 10-17-31<br>89-91-92<br>93-143<br>144-147 | 102-108<br>109-110<br>111 (27) | 25-28   | 30-31-32<br>33-34-35<br>36-37-38<br>39-40-41<br>42-43-44<br>45 | 158-159-160<br>179-180-181<br>182 |
| Posizioni Include  |        |   |                                |         |  |                                   |
| N. pcs.            | 3      | 1   | 6                              | 6       | 1  | 1                                 |

| PISTON - PISTONE Ø 15       |        |        |            |                                      |
|-----------------------------|--------|--------|------------|--------------------------------------|
| MODEL<br>IPX10•130 - IPX951 |        |        |            |                                      |
| KIT 88                      | KIT 89 | KIT 90 | KIT 125    | KIT 130                              |
| 122<br>123<br>149           | 124    | 121    | 125<br>126 | 121-122<br>123-124<br>125-126<br>149 |
| 3                           | 3      | 6      | 3          | 1                                    |

| PISTON - PISTONE Ø 18                |                   |         |         |                                      |
|--------------------------------------|-------------------|---------|---------|--------------------------------------|
| MODEL<br>IPX12•100 - IPX954 - IPX957 |                   |         |         |                                      |
| KIT 126                              | KIT 127           | KIT 128 | KIT 129 | KIT 131                              |
| 125<br>126                           | 123<br>122<br>149 | 124     | 121     | 121-122<br>123-124<br>125-126<br>149 |
| 3                                    | 3                 | 3       | 6       | 1                                    |







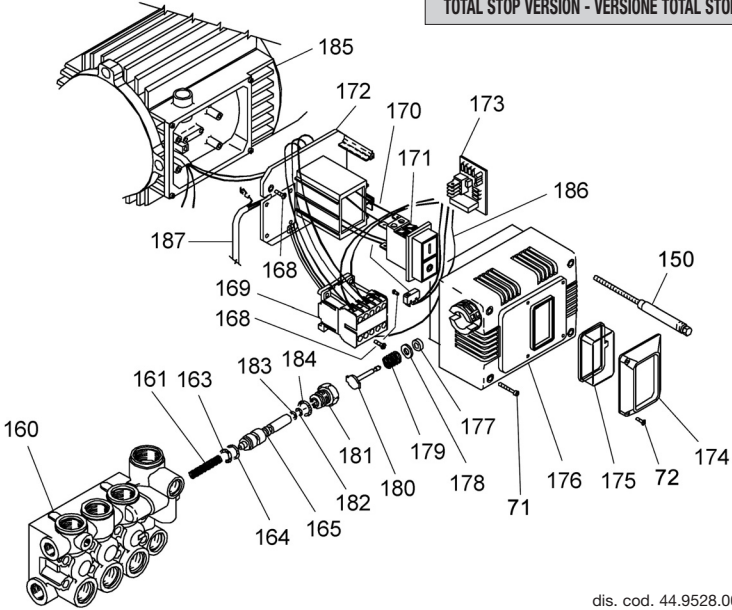
# IPX12•140 - IPX14•120 - IPX13•180 - IPX15•150 IPX17•130 - IPX961 - IPX956

SPARE PARTS LIST  
LISTE DES PIÈCES DE RECHANGE  
AUFLISTUNG DER ERSATZTEILE  
LISTA DE REPUESTOS  
NOMENCLATURA PEÇAS SOBRESSALENTES  
NOMENCLATURA RICAMBI

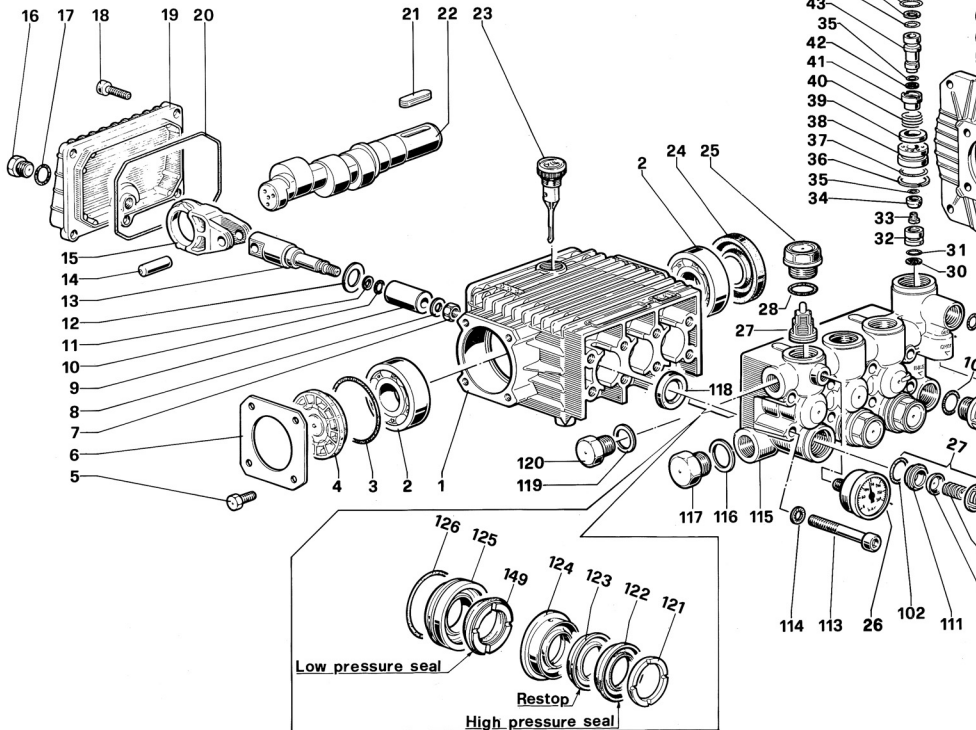
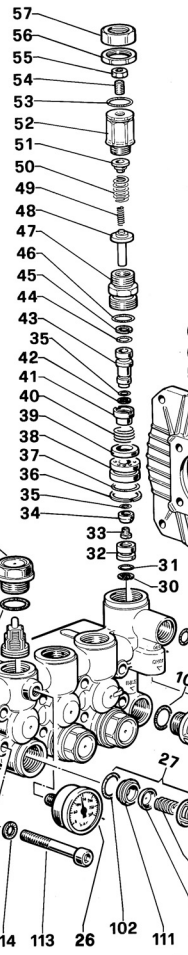
LISTE OVER RESERVEDELE  
LJIST VERVANGINGSONDERDELEN  
RESERVEDELSLISTA  
VARAOSALUETTELO  
LISTE OVER RESERVEDELER  
Λίστα αναλλακτικών

| POS. | CODE CODICE            | N. PCS. | POS. | CODE CODICE                     | N. PCS. | POS.  | CODE CODICE                 | N. PCS. |
|------|------------------------|---------|------|---------------------------------|---------|---|-----------------------------|---------|
| 1    | 44.0100.22             | 1       |      | 43.3430.02 - IPX14.120          | 1       | 123   | 90.2622.00 - 015            | 3       |
| 2    | 91.8328.00             | 2       | 60   | IPX12.140                       |         |   | 90.2683.00 - 018            | 3       |
| 3    | 90.4097.00             | 1       |      | 43.3450.02 - IPX956             |         | 124   | 52.2166.70 - 015            | 3       |
| 4    | 44.2118.01             | 1       |      | 43.3460.02                      |         |   | 44.2161.70 - 018            | 3       |
| 5    | 99.1807.00             | 4       |      | 43.3231.02 - IPX14.120-230/400V |         | 125   | 44.0800.70 - 015            | 3       |
| 6    | 50.1500.74             | 1       |      | IPX12.140-230/400V              |         |   | 44.0801.70 - 018            | 3       |
| 7    | 92.2216.00             | 3       | 61   | 43.3250.02 - IPX956-220V        | 1       | 126   | 90.3612.00                  | 3       |
| 8    | 44.2115.70             | 3       |      | 43.3261.02 - 230/400V           | 1       | 128   | 43.2118.51                  | 1       |
| 9    | 52.0400.09 - 015       | 3       |      | 43.3265.02 - 240/415V           |         | 142   | 36.3181.51                  | 1       |
|      | 44.0401.09 - 018       | 3       |      | 43.3268.02 - IPX961-220/380V    |         | 143   | 94.7383.00                  | 1       |
| 10   | 90.3572.00             | 4       | 62   | 90.4028.00                      | 1       | 144   | 90.3580.00                  | 1       |
| 11   | 90.5022.00             | 3       | 63   | 43.2128.51                      | 1       | 145   | 36.2564.70                  | 1       |
| 12   | 96.7350.00             | 3       | 64   | 43.2127.51                      | 1       | 146   | 36.2565.51                  | 1       |
| 13   | 44.0500.66             | 3       | 65   | 10.7273.01                      | 1       | 147   | 90.3570.00                  | 2       |
| 14   | 97.7340.00             | 3       | 66   | 93.5790.00                      | 1       | 148   | 36.2607.51                  | 1       |
| 15   | 44.0300.22             | 3       | 67   | 93.5179.00 - 400/415V           | 1       | 149   | 90.2617.00 - 015            | 3       |
| 16   | 98.2042.50             | 1       |      | 93.5182.00 - 230/240V           | 1       |   | 90.2684.00 - 018            | 3       |
| 17   | 90.3585.00             | 2       | 68   | 43.2120.51                      | 1       | 150   | 23.0157.02                  | 1       |
| 18   | 99.1837.00             | 5       | 69   | 43.2119.47                      | 1       | 151   | 98.1925.00                  | 4       |
| 19   | 44.1600.22             | 1       | 70   | 43.2113.51                      | 1       | 152   | 92.5015.00                  | 1       |
| 20   | 90.3920.00             | 2       | 71   | 99.1720.00                      | 3       | 153   | 93.5206.00                  | 1       |
| 21   | 91.4892.00             | 1       | 72   | 99.0744.00                      | 4       | <b>TOTAL STOP VERSION - VERSIONE TOTAL STOP</b> |                             |         |
|      | 44.0200.35 - IPX13.180 |         | 73   | 99.1540.00                      | 2       | 160   | 44.1210.41 - 015            | 1       |
|      | IPX961                 |         | 74   | 99.1515.00                      | 1       |   | 44.1211.41 - 018            | 1       |
| 22   | 44.0203.35 - IPX15.150 | 1       | 75   | 96.6913.00                      | 1       | 161   | 94.7341.00                  | 1       |
|      | IPX12.140              |         | 76   | 91.8372.00                      | 1       | 163   | 90.5052.00                  | 1       |
|      | IPX956                 |         | 77   | 90.0850.00                      | 1       | 164   | 90.3819.00                  | 1       |
|      | 44.0206.35 - IPX14.120 |         | 78   | 42.0300.51                      | 1       | 165   | 10.0799.70                  | 1       |
|      | IPX17.130              |         | 79   | 43.0400.51                      | 1       | 168   | 99.1450.00                  | 5       |
| 23   | 98.2103.00             | 1       | 80   | 90.0655.00                      | 1       | 169   | 93.6340.00-400V/50/60Hz     | 1       |
| 24   | 90.1641.00             | 1       | 81   | 99.1658.00                      | 4       |   | 93.6342.00-230V/50/60Hz     | 1       |
| 25   | 98.2226.00             | 6       | 82   | 90.3863.00                      | 1       | 170   | 10.7366.02                  | 1       |
| 26   | 94.5824.00             | 1       | 83   | 98.2173.00                      | 1       | 171   | 93.5189.00-400V/50/60Hz     | 1       |
| 27   | 36.7115.01             | 6       | 84   | 99.1867.00                      | 4       |   | 93.5191.00-230V/50/60Hz     | 1       |
| 28   | 90.3847.00             | 6       | 85   | 96.6938.00                      | 8       | 172   | 43.2121.51                  | 1       |
| 30   | 90.5065.00             | 1       | 86   | 99.1897.00                      | 4       | 173   | 93.6415.00-400V/50/60Hz     | 1       |
| 31   | 90.3822.00             | 2       | 87   | 10.0151.66                      | 1       |   | 93.6430.00-230V/50/60Hz     | 1       |
| 32   | 36.3164.66             | 1       | 88   | 90.3832.00                      | 1       | 174   | 43.2123.51                  | 1       |
| 33   | 99.1509.00             | 1       | 89   | 10.0147.70 - M22                | 1       | 175   | 43.2122.47                  | 1       |
| 34   | 36.3190.66             | 1       | 90   | 90.3582.00                      | 1       | 176   | 43.2114.51                  | 1       |
| 35   | 90.3575.00             | 2       | 91   | 94.8217.00                      | 1       | 177   | 90.2532.00                  | 1       |
| 36   | 90.5144.00             | 1       | 92   | 97.4782.00                      | 1       | 178   | 96.7035.00                  | 1       |
| 37   | 90.3600.00             | 1       | 93   | 36.2563.70                      | 1       | 179   | 94.7412.00                  | 1       |
| 38   | 36.3229.70             | 1       | 94   | 90.3841.00                      | 7       | 180   | 43.2126.51                  | 1       |
| 39   | 36.3231.51             | 1       | 95   | 36.3182.51                      | 1       | 181   | 10.0800.70                  | 1       |
| 40   | 94.7485.00             | 1       | 96   | 92.8925.00                      | 1       | 182   | 90.5020.00                  | 1       |
| 41   | 36.3230.70             | 1       | 97   | 90.3828.00                      | 1       | 183   | 90.3570.00                  | 1       |
| 42   | 90.5025.00             | 1       | 98   | 36.2569.51                      | 1       | 184   | 90.3591.00                  | 1       |
| 43   | 36.3234.70             | 1       | 99   | 92.9828.00                      | 1       |   | 43.3232.02-IPX14.120-400/50 |         |
| 44   | 90.3820.00             | 1       | 100  | 36.2003.66                      | 6       |   | IPX12.140-400/50            |         |
| 45   | 90.5052.00             | 1       | 101  | 99.3175.00                      | 6       |   | 43.3233.02-IPX14.120-230/50 |         |
| 46   | 90.3857.00             | 1       | 102  | 96.7014.00                      | 8       |   | IPX12.140-230/50            |         |
| 47   | 36.3228.70             | 1       | 103  | 44.1201.41 - 015                | 1       | 185   | 43.3269.02-IPX961-220/60    | 1       |
| 48   | 36.3233.70             | 1       | 104  | 44.1205.41 - 018                | 1       |   | 43.3270.02-IPX961-380/60    |         |
| 49   | 94.7345.00             | 1       | 105  | 96.7514.00                      | 1       |   | 43.3250.02-IPX956-220/60    |         |
| 50   | 94.7436.00             | 1       | 106  | 98.2176.00                      | 1       |   | 43.3262.02-400/50           |         |
| 51   | 36.3169.70             | 1       | 107  | 90.1614.00                      | 3       |   | 43.3263.02-230/50           |         |
| 52   | 36.3185.70             | 1       | 108  | 96.7380.00                      | 1       | 186   | 10.7364.01                  | 1       |
| 53   | 90.3598.00             | 1       | 109  | 98.2100.00                      | 1       | 187   | 10.7368.01                  | 1       |
| 54   | 99.3054.00             | 1       | 110  | 51.1000.51 - 015                | 3       |   |                             |         |
| 55   | 92.2218.00             | 1       | 111  | 44.1001.51 - 018                | 3       |   |                             |         |
| 56   | 92.2935.00             | 1       | 112  | 90.2620.00 - 015                | 3       |   |                             |         |
| 57   | 36.3186.70             | 1       | 113  | 90.2682.00 - 018                | 3       |   |                             |         |
| 59   | 10.0501.22             | 1       | 122  |                                 |         |   |                             |         |

TOTAL STOP VERSION - VERSIONE TOTAL STOP



dis. cod. 44.9528.00

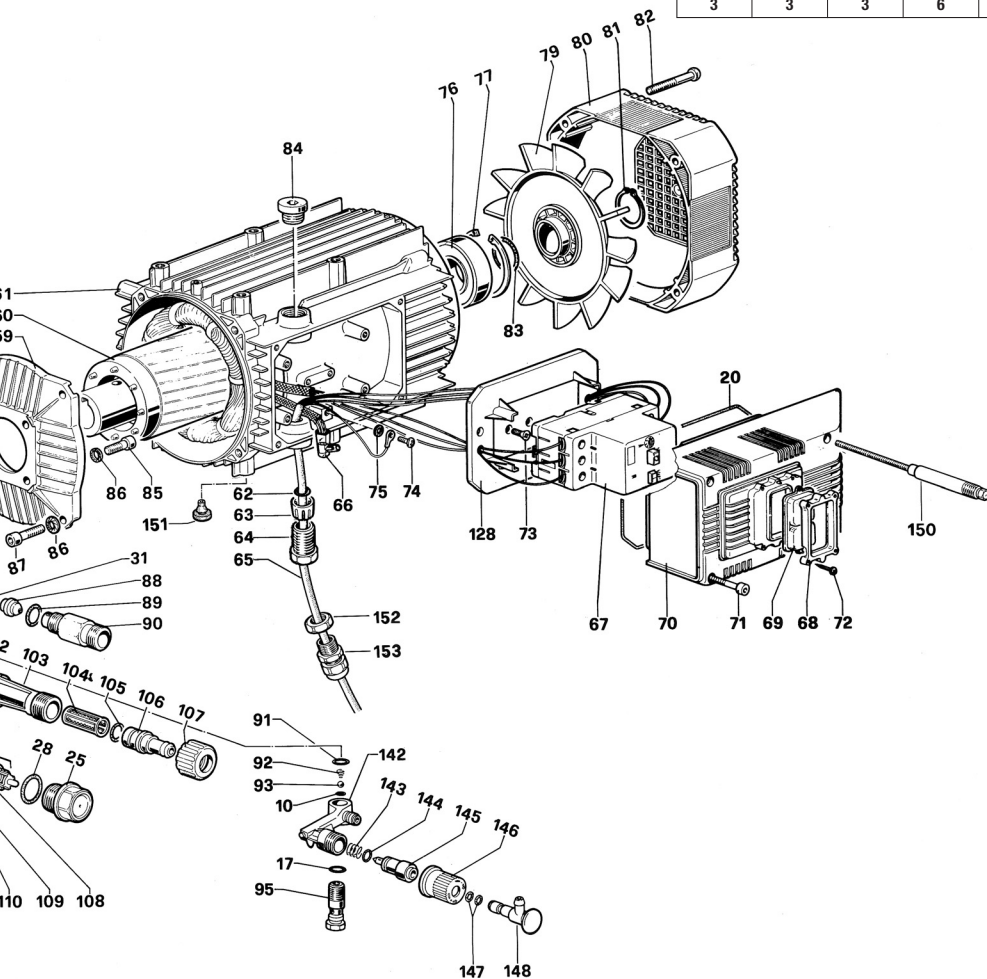


dis. cod. 44.9526.00

| KIT N.             | KIT 23 | KIT 94                                    | KIT 123                        | KIT 124 | KIT 137  | KIT 306                           |
|--------------------|--------|---|--------------------------------|---------|--|-----------------------------------|
| Positions Included | 118    | 10-17-31<br>89-91-92<br>93-143<br>144-147 | 102-108<br>109-110<br>111 (27) | 25-28   | 30-31-32<br>33-34-35<br>36-37-38<br>39-40-41<br>42-43-44<br>45 | 163-164-165<br>181-182-183<br>184 |
| Posizioni Include  |        |   |                                |         |  |                                   |
| N. pcs.            | 3      | 1   | 6                              | 6       | 1  | 1                                 |

| PISTON - PISTONE Ø 15                       |        |        |            |                                      |
|---|--------|--------|------------|--------------------------------------|
| MODEL                                       |        |        |            |                                      |
| IPX13*180 - IPX15*150 - IPX17*130 - IPX 961 |        |        |            |                                      |
| KIT 88                                      | KIT 89 | KIT 90 | KIT 125    | KIT 130                              |
| 122<br>123<br>149                           | 124    | 121    | 125<br>126 | 121-122<br>123-124<br>125-126<br>149 |
| 3   | 3      | 6      | 3          | 1                                    |

| PISTON - PISTONE Ø 18           |                   |         |         |                                      |
|---------------------------------|-------------------|---------|---------|--------------------------------------|
| MODEL                           |                   |         |         |                                      |
| IPX12*140 - IPX14*120 - IPX 956 |                   |         |         |                                      |
| KIT 126                         | KIT 127           | KIT 128 | KIT 129 | KIT 131                              |
| 125<br>126                      | 123<br>122<br>149 | 124     | 121     | 121-122<br>123-124<br>125-126<br>149 |
| 3                               | 3                 | 3       | 6       | 1                                    |



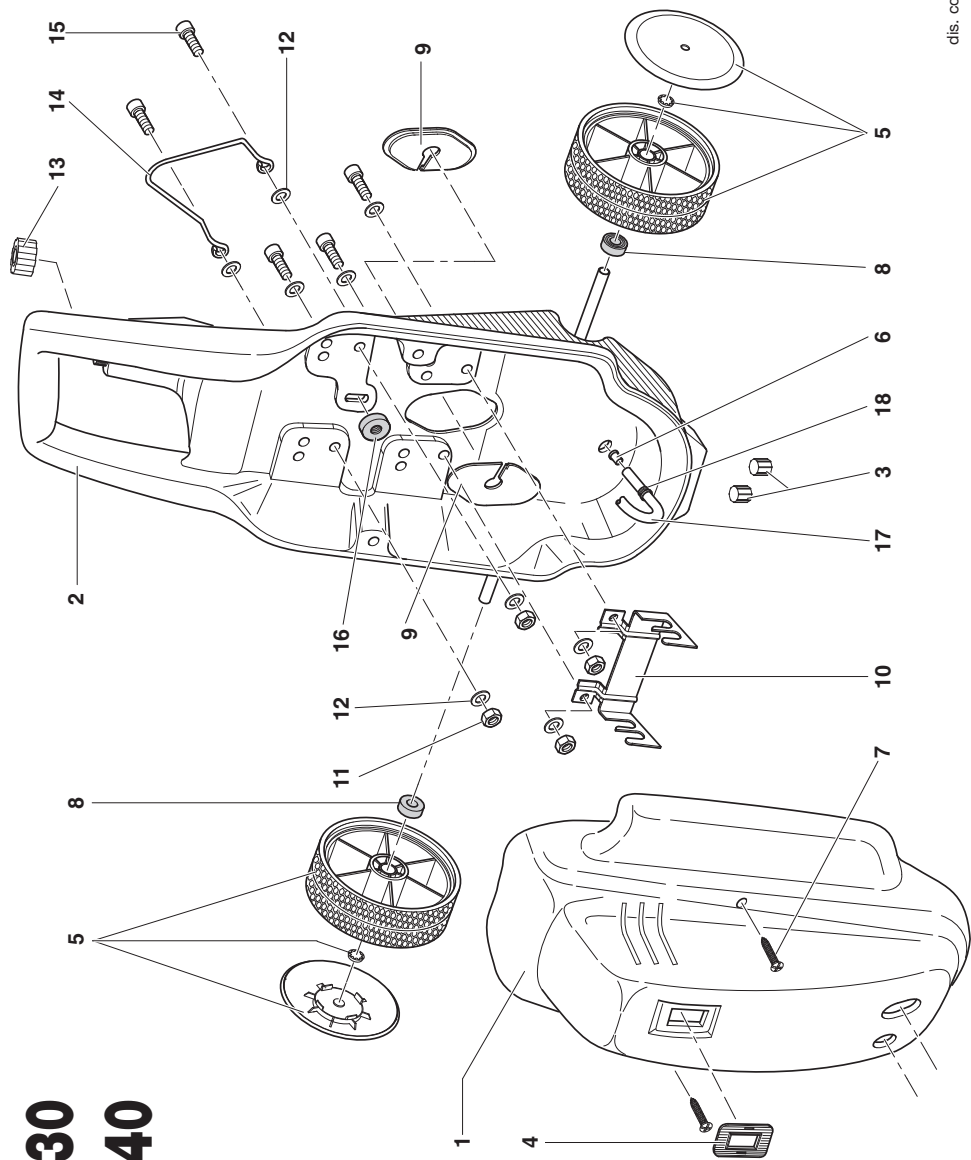


- SPARE PARTS LIST
- LISTE DES PIÈCES DE RECHANGE
- AUFLISTUNG DER ERSATZTEILE
- LISTA DE REPUESTOS
- NOMENCLATURA PEÇAS SOBRESSALENTES
- NOMENCLATURA RICAMBI
- LISTE OVER RESERVEDELE
- LIJST VERVANGINGSONDERDELEN
- RESERVDLSLISTA
- VARAOSALUETTELO
- LISTE OVER RESERVEDELER
- Λίστα ανταλλακτικών

**• IP 130 • IP 140**

| POS. | CODE<br>CODICE | N.<br>PCS. |
|------|----------------|------------|
| 1    | 23.0132.51     | 1          |
| 2    | 23.0147.02     | 1          |
| 3    | 23.0136.82     | 2          |
| 4    | 23.0133.51     | 1          |
| 5    | 96.9390.00     | 2          |
| 6    | 92.8914.00     | 1          |
| 7    | 99.1704.00     | 2          |
| 8    | 23.0139.51     | 2          |
| 9    | 23.0142.51     | 2          |
| 10   | 23.0143.74     | 1          |
| 11   | 92.2218.00     | 4          |
| 12   | 96.7072.00     | 9          |
| 13   | 23.0135.51     | 1          |
| 14   | 23.0140.66     | 1          |
| 15   | 99.3099.00     | 5          |
| 16   | 23.0144.47     | 1          |
| 17   | 10.0529.98     | 1          |
| 18   | 23.0101.47     | 1          |

- IP 130
- IP 140



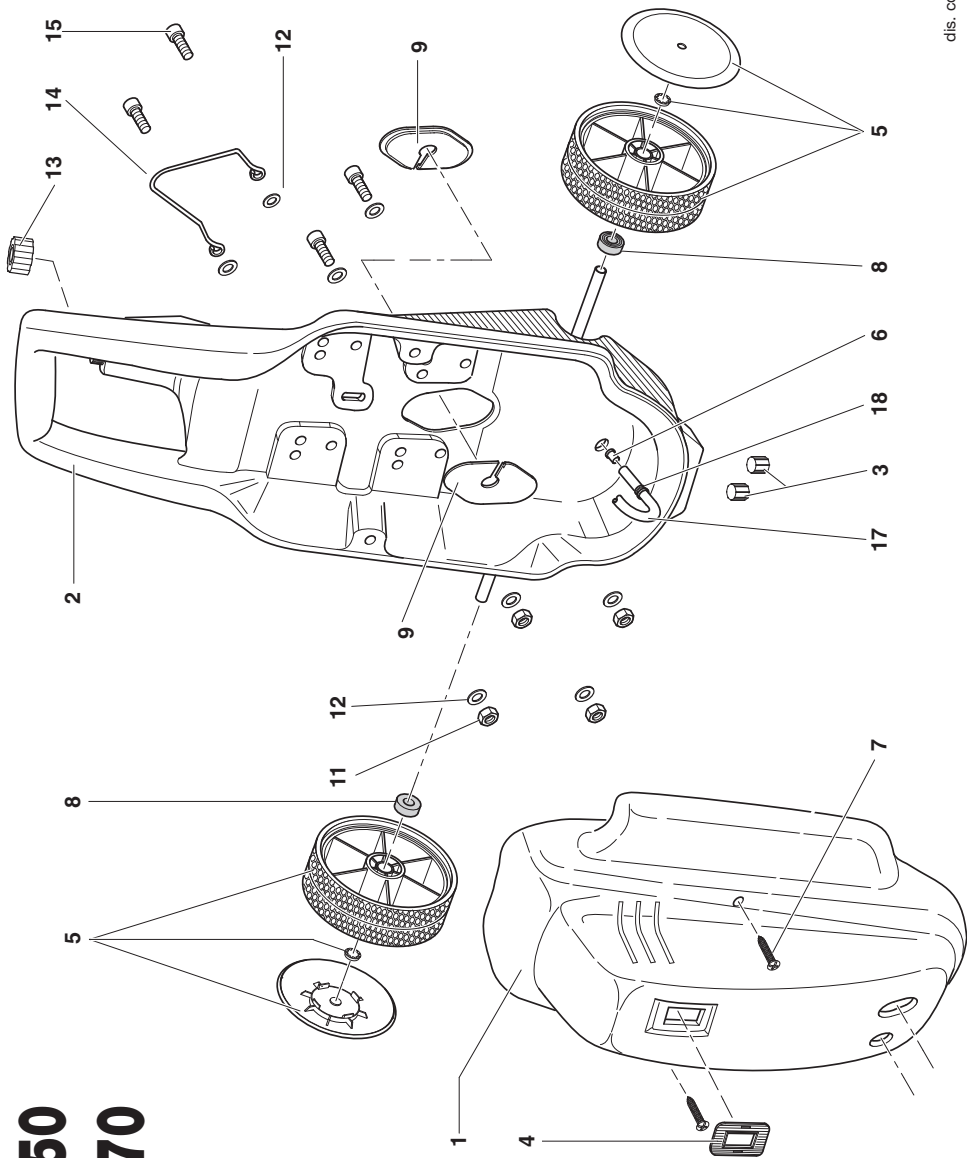
- SPARE PARTS LIST
- LISTE DES PIÈCES DE RECHANGE
- AUFLISTUNG DER ERSATZTEILE
- LISTA DE REPUESTOS
- NOMENCLATURA PEÇAS SOBRESSALENTES
- NOMENCLATURA RICAMBI
- LISTE OVER RESERVEDELE
- LIJST VERVANGINGSONDERDELEN
- RESERVELSLISTA
- VARAOSALUETTELO
- LISTE OVER RESERVEDELER
- Λίστα ανταλλακτικών

**• IP 150 • IP 170**

| POS.     | CODE<br>CODICE                             | N.<br>PCS. |
|----------|--|------------|
| <b>1</b> | 23.0132.51 - IP 150<br>23.0131.51 - IP 170 | 1<br>1     |
| 2        | 23.0147.02                                 | 1          |
| 3        | 23.0136.82                                 | 2          |
| 4        | 23.0133.51 - IP 150                        | 1          |
| 5        | 96.9390.00                                 | 2          |
| 6        | 92.8914.00                                 | 1          |
| 7        | 99.1704.00                                 | 2          |
| 8        | 23.0139.51                                 | 2          |
| 9        | 23.0142.51                                 | 2          |
| 11       | 92.2218.00                                 | 4          |
| 12       | 96.7072.00                                 | 8          |
| 13       | 23.0135.51                                 | 1          |
| 14       | 23.0140.66                                 | 1          |
| 15       | 99.3099.00                                 | 4          |
| 17       | 10.0592.98                                 | 1          |
| 18       | 23.0101.47                                 | 1          |

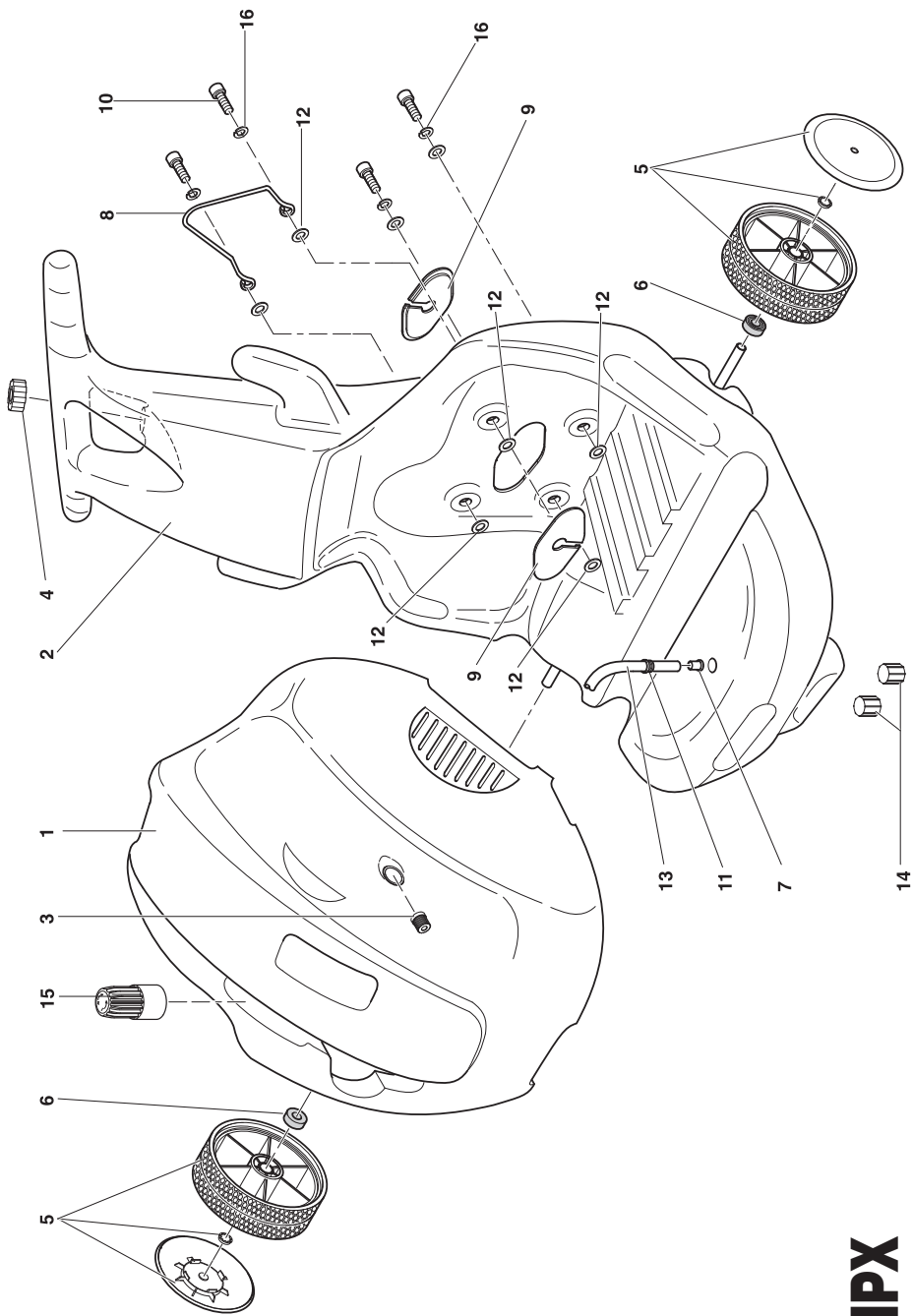


- IP 150
- IP 170



- SPARE PARTS LIST
- LISTE DES PIÈCES DE RECHANGE
- AUFLISTUNG DER ERSATZTEILE
- LISTA DE REPUESTOS
- NOMENCLATURA PEÇAS SOBRESSALENTES
- NOMENCLATURA RICAMBI
- LISTE OVER RESERVEDELE
- LIJST VERVANGINGSONDERDELEN
- RESERVDIELSLISTA
- VARAOSALUETTELO
- LISTE OVER RESERVEDELER
- Λίστα ανταλλακτικών

| POS. | CODE<br>CODICE | N.<br>PCS. |
|------|----------------|------------|
| 1    | 23.0149.51     | 1          |
| 2    | 23.0148.02     | 1          |
| 3    | 52.2122.51     | 1          |
| 4    | 23.0135.51     | 1          |
| 5    | 96.9390.00     | 2          |
| 6    | 23.0139.51     | 2          |
| 7    | 92.8914.00     | 1          |
| 8    | 23.0146.66     | 1          |
| 9    | 23.0142.51     | 2          |
| 10   | 99.3099.00     | 4          |
| 11   | 23.0101.47     | 1          |
| 12   | 96.7072.00     | 8          |
| 13   | 10.0592.98     | 1          |
| 14   | 23.0136.82     | 2          |
| 15   | 36.3221.51     | 1          |
| 16   | 96.7016.00     | 4          |

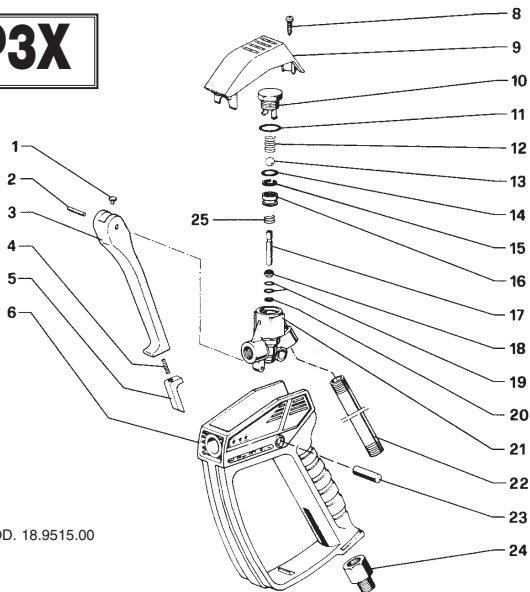


dis. cod. 23.9522.00

• IPX

# ACCESSORIES FOR IPX SERIES

**P3X**



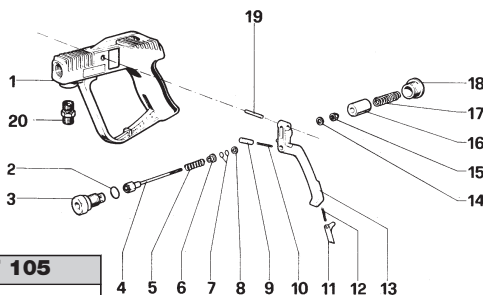
DIS. COD. 18.9515.00

| POS. | CODE CODICE | N. PCS. |
|------|-------------|---------|
| 1    | 18.2082.64  | 1       |
| 2    | 97.6143.00  | 1       |
| 3    | 18.2079.51  | 1       |
| 4    | 94.7303.00  | 1       |
| 5    | 18.2050.51  | 1       |
| 6    | 18.2080.51  | 1       |
| 8    | 99.0845.00  | 1       |
| 9    | 18.2081.51  | 1       |
| 10   | 18.2075.70  | 1       |
| 11   | 90.3593.00  | 1       |
| 12   | 94.7342.00  | 1       |
| 13   | 97.4810.00  | 1       |
| 14   | 90.3585.00  | 1       |
| 15   | 90.5068.00  | 1       |
| 16   | 18.2074.66  | 1       |
| 17   | 18.2076.66  | 1       |
| 18   | 18.2077.70  | 1       |
| 19   | 90.3568.00  | 2       |
| 20   | 90.5007.00  | 1       |
| 21   | 18.2073.41  | 1       |
| 22   | 18.2083.89  | 1       |
| 23   | 97.6200.00  | 1       |
| 24   | ZINA 1/4F   | 1       |
| 25   | 94.7351.00  | 1       |

| KIT N.            | KIT 116           |
|-------------------|-------------------|
| Position Included | 10 - 11 - 12 - 13 |
| Posizioni Incluse | 14 - 15 - 16      |
| N. pcs.           | 1                 |

# ACCESSORIES FOR IP SERIES

**P10**

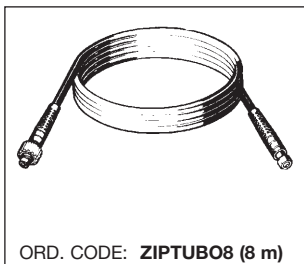


DIS. COD. 18.9507.00

| KIT N.            | KIT 105           |
|-------------------|-------------------|
| Position Included | 2 - 3 - 4 - 7 - 8 |
| Posizioni Incluse |                   |
| N. pcs.           | 1                 |

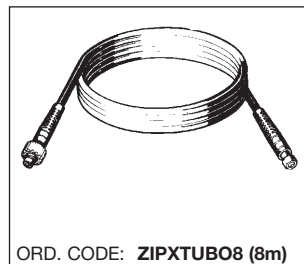
| POS. | CODE CODICE | N. PCS. |
|------|-------------|---------|
| 1    | 18.2056.02  | 1       |
| 2    | 90.3841.00  | 1       |
| 3    | 18.2059.02  | 1       |
| 4    | 18.2071.02  | 1       |
| 5    | 94.7378.00  | 1       |
| 6    | 18.2042.70  | 1       |
| 7    | 90.3568.00  | 2       |
| 8    | 90.5007.00  | 1       |
| 9    | 18.2053.70  | 1       |
| 10   | 94.7305.00  | 1       |
| 11   | 18.2050.51  | 1       |
| 12   | 94.7303.00  | 1       |
| 13   | 18.2048.51  | 1       |
| 14   | 96.6840.00  | 1       |
| 15   | 92.1935.00  | 1       |
| 16   | 18.2052.70  | 1       |
| 17   | 94.7414.00  | 1       |
| 18   | 98.2192.00  | 1       |
| 19   | 97.6155.00  | 1       |
| 20   | 95.2840.00  | 1       |

HIGH PRESSURE HOSE - TUYAU HAUTE PRESSION - HOCHDRUCKSCHLAUCH - TUBO DE ALTA PRESSION - TUBO ALTA PRESSIONE



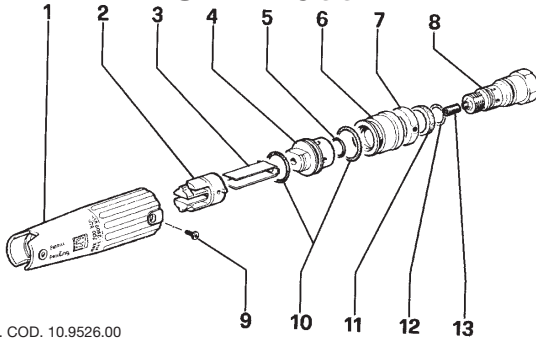
**FOR IP  
SERIES**

**FOR IPX  
SERIES**



# ACCESSORIES FOR IP AND IPX SERIES

## "MULTIREG99"

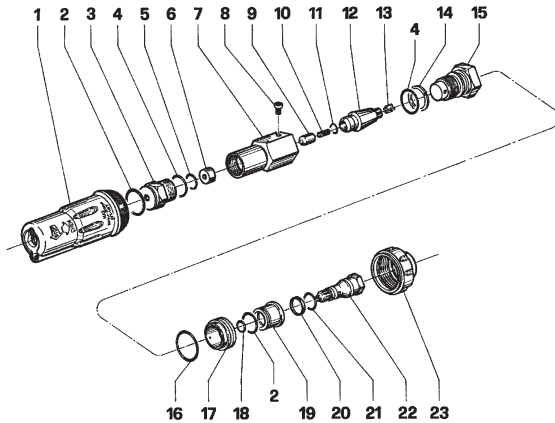


DIS. COD. 10.9526.00

### POSITION 13

| POS. | CODE CODICE | N. PCS. | SERIES          |      |
|------|-------------|---------|-----------------|------|
|      |             |         | SERIES          | CODE |
| 1    | 10.0483.51  | 1       | IP130           | 125  |
| 2    | 10.0299.51  | 1       | IP140           | 130  |
| 3    | 10.1304.76  | 1       | IP150           | 125  |
| 4    | 10.0486.70  | 1       | IP150(240V-13A) | 140  |
| 5    | 90.3819.00  | 1       | IP170           | 145  |
| 6    | 10.0485.70  | 1       | IPX10-130       | 130  |
| 7    | 10.0496.70  | 1       | IPX12-100       | 150  |
| 8    | 10.0484.70  | 1       | IPX12-140       | 140  |
| 9    | 99.0702.00  | 2       | IPX14-120       | 155  |
| 10   | 90.3845.00  | 2       | IPX13-180       | 135  |
| 11   | 90.2680.00  | 1       | IPX15-150       | 155  |
| 12   | 90.3828.00  | 1       | IPX17-130       | 175  |
|      |             |         | IPX951          | 145  |
|      |             |         | IPX954          | 165  |
|      |             |         | IPX957          | 180  |
|      |             |         | IPX956          | 155  |
|      |             |         | IPX961          | 155  |

## "ROTOTEK"



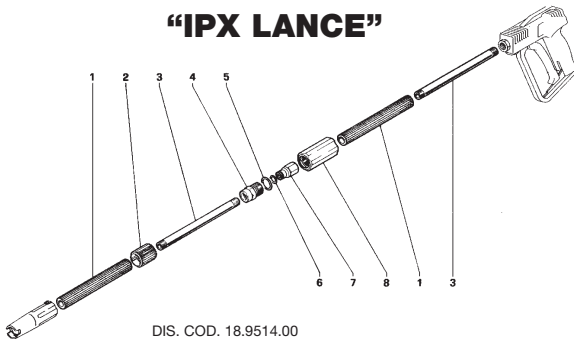
DIS. COD. 10.9545.00

| POS. | CODE CODICE     | N. PCS. | POS. | CODE CODICE     | N. PCS. |
|------|-----------------|---------|------|-----------------|---------|
| 1    | 10.0568.51      | 1       | 13   | 10.0453.51      | 1       |
| 2    | 90.3845.00      | 2       | 14   | 90.5090.00      | 1       |
| 3    | 10.0450.70      | 1       | 15   | <b>Tab. "A"</b> |         |
| 4    | 90.3835.00      | 2       | 16   | 90.3867.00      | 1       |
| 5    | 90.3585.00      | 1       | 17   | 10.0567.51      | 1       |
| 6    | 10.0455.09      | 1       | 18   | 90.3819.00      | 1       |
| 7    | 10.0451.70      | 1       | 19   | 10.0485.70      | 1       |
| 8    | 99.0702.00      | 1       | 20   | 90.2680.00      | 1       |
| 9    | 10.0456.09      | 1       | 21   | 90.3828.00      | 1       |
| 10   | <b>Tab. "A"</b> |         | 22   | 10.0484.70      | 1       |
| 11   | 90.3574.00      | 1       | 23   | 10.0566.51      | 1       |
| 12   | 10.0564.02      | 1       |      |                 |         |

### TAB. "A"

|  | SERIES | POS. | SERIES     | N. PCS. |
|--|--------|------|------------|---------|
| IP130 - IP140  |        | 10   | 135        | 1       |
|  |        | 15   | 10.0565.70 | 1       |
| IP150-IP150(240V-13A)-IP170<br>IPX10-130 - IPX13-180 |        | 10   | 140        | 1       |
|  |        | 15   | 10.0472.70 | 1       |
| IPX12-100 - IPX951<br>IPX 12-140                     |        | 10   | 150        | 1       |
|  |        | 15   | 10.0454.70 | 1       |
| IPX14-120 - IPX15-150<br>IPX956 - IPX961             |        | 10   | 160        | 1       |
|  |        | 15   | 10.0471.70 | 1       |
| IPX17-130<br>IPX954 - IPX957                         |        | 10   | 175        | 1       |
|  |        | 15   | 10.0471.70 | 1       |

## "IPX LANCE"



DIS. COD. 18.9514.00

| POS. | CODE CODICE | N. PCS. |
|------|-------------|---------|
| 1    | 18.0126.98  | 2       |
| 2    | 10.0542.51  | 1       |
| 3    | 18.0127.89  | 2       |
| 4    | 10.0120.70  | 1       |
| 5    | 90.3845.00  | 1       |
| 6    | 90.3820.00  | 1       |
| 7    | 10.0534.70  | 1       |
| 8    | 10.0532.02  | 1       |

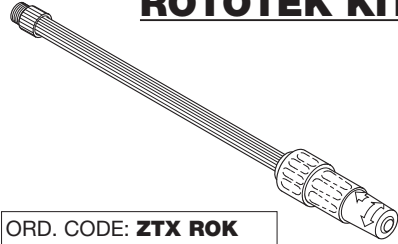
**BRUSHKIT**



ORD. CODE: **ZTXBRUSH**

- ROTATING BRUSH
- BROSE ROTATIVE
- DREHBARE BÜRSTE
- CEPILLO ROTATIVO
- ESCOVA ROTATIVA
- SPAZZOLA ROTANTE
- ROTERENDE BØRSTE
- ROTERENDE BORSTEL
- ROTERENDE BORSTE
- PYÖRIVÄ HARJA
- ROTERENDE BØRSTE
- ΠΕΡΙΣΤΡΕΦΟΜΕΝΗ ΒΟΥΡΤΣΑ

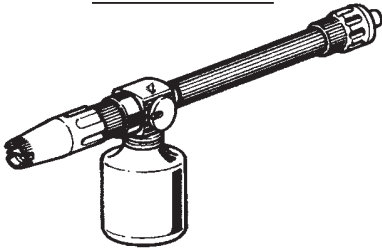
**ROTOTEK KIT**



ORD. CODE: **ZTX ROK**

- MULTIFUNCTION ROTATING NOZZLE
- BUSE ROTATIVE MULTIFONCTION
- DREHBARE MEHRZWECKDÜSE
- BOQUILLA ROTATIVA MULTIFUNCIÓN
- BICO ROTATIVO MULTIFUNÇÃO
- UGELLO ROTANTE MULTIFUNZIONE
- ROTERENDE DYSE MED FLERE FUNKTIONER
- MULTIFUNCTIONEEL ROTEREND MONDSTUK
- ROTERENDE MUNSTYCKE
- PYÖRIVÄ MONITOIMISUUTIN
- ROTERENDE MUNNSTYKKE
- ΠΟΛΥΛΕΙΤΟΥΡΓΙΚΟ ΠΕΡΙΣΤΡΕΦΟΜΕΝΟ ΑΚΡΟΦΥΣΙΟ

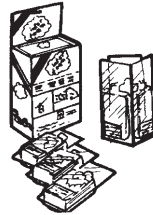
**FOAMKIT**



ORD. CODE: **ZTXFOAM**

- FOAM SPRAYER
- LANCE À MOUSSA
- SCHAUMLANZE
- LANZA PARA ESPUMA
- LANÇA-ESPUMA
- LANCIA SCHIUMA
- SKUMLANSE
- SCHUIMTOEVOERDER
- SKUMLANS
- VAAHTOSUUTIN
- SKUMSPRØYTE
- ΠΙΣΤΟΛΕΤΟ ΑΦΡΟΥ

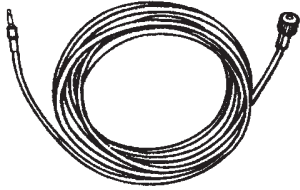
**INTERFOAM**



ORD. CODE: **ZDET**

- FOAM DETERGENT
- DÉTERGENT MOUSSANT
- SCHAUMDETERGENT
- DETERGENTE ESPUMÓGENO
- DETERGENTE ESPUMANTE
- DETERGENTE SCHIUMOGENO
- SKUMVASKEMIDDEL
- SCHUIMEND REINIGINGSMIDDEL
- SKUMSCHAMPO
- VAAHTOMAINEN PESUAINA
- SKUMVASKEMIDDEL
- ΑΦΡΩΔΕΣ ΑΠΟΡΡΥΠΑΝΤΙΚΟ

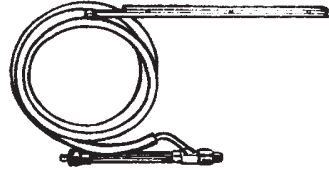
**DRAINKIT**



ORD. CODE: **ZTXDRAIN**

- DRAIN CLEANING KIT
- JEU DE NETTOYAGE DES TUBES
- ROHRREINIGUNGSKIT
- KIT DE LIMPIEZA DE TUBERÍAS
- ESTOJO LIMPEZA TUBAGENS
- KIT PULIZIA TUBAZIONI
- RØRRENSESÆT
- REINIGINGSSET LEIDINGEN
- RÖRRENSNINGSSSET
- LETKUJEN PESUTARVIKKEET
- RØRRENGJØRINGSUTSTYR
- ΚΙΤ ΚΑΘΑΡΙΣΜΟΥ ΣΩΛΗΝΩΣΕΩΝ

**SANDKIT**



ORD. CODE: **ZTXSAND**

- SAND-BLASTING KIT
- KIT DE SABLAGE
- SANDSTRAHLKIT
- KIT ARENADOR
- CABEÇA DE AREIAMENTO
- TESTINA SABBIANTE
- SANDBLÆSNINGSSÆT
- ZANDKOP
- SANDBLÅSTER
- HIEKKAPUHALLUSSUUTIN
- SANDBLÅSER
- ΚΕΦΑΛΗ ΑΜΜΟΒΟΛΗΣ

AZIENDA CON SISTEMA  
DI GESTIONE QUALITA'  
CERTIFICATO DA DNV  
= ISO 9001 =



**INTERPUMP GROUP**

---

VIA E. FERMI, 25 - 42049 S. ILARIO - REGGIO EMILIA (ITALY)  
TEL. +39 - 0522 - 904311 - TELEFAX + 39 - 0522 - 904444  
E-mail: [info@interpumpgroup.it](mailto:info@interpumpgroup.it) - <http://www.interpumpgroup.it>